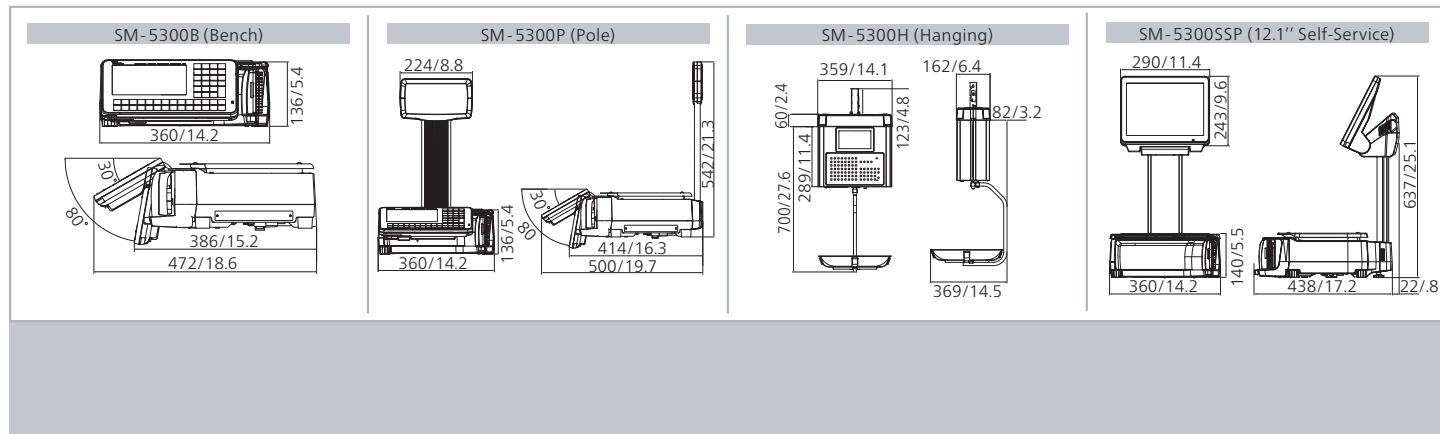


External Dimensions (mm/ inches)



Specifications

Capacity	Max. 30 lb	Max. 30 lb	Max. 30 lb
Scale Interval	e = 0.01 lb	e = 0.005/0.01 lb	e = 2/5g
Weighing Range	0.20-30 lb	0.20-30 lb	40g-15kg

Model	SM-5300B (Bench)	SM-5300P (Pole)	SM-5300H (Hanging)	SM-5300SSP (12.1" Self-Service)
Dimension	360 x 472 x 136	360 x 500 x 542	359 x 369 x 883	360 x 460 x 637
	14.2 x 18.6 x 5.4	14.2 x 19.7 x 21.3	14.1 x 14.5 x 34.8	14.2 x 18.1 x 25.1
Operator Display	7" WVGA with Touch (800 x 480)	12.1" TFT SVGA with Touch (800 x 600)	19" TFT SVGA with Touch (1280 x 1024)	12.1" TFT SVGA with Touch (800 x 600)
Customer Display	7" WVGA (800 x 480)	12.1" TFT SVGA (800 x 600)		
Display Resolution	1 / 3,000, 1 / 6,000 & 1 / 7,500			
Number of Preset Keys	28 Preset Keys / 23 Alphanumeric Function Keys (For 7" Operator WVGA with Touch)			
Label / Receipt	Liner		Linerless With Auto-Cutter	
Types	Liner		Linerless With Auto-Cutter	
Roll Diameter	125 mm (Max) / 4.9 in (Max)		95 mm (Max) / 3.7 in (Max)	
Print Width	56 mm (Max) / 2.2 in (Max)		56 mm (Max) / 2.2 in (Max)	
Paper Width	70 mm (Max) / 2.8 in (Max)		62 mm (Max) / 3.9 in (Max)	
Printing Speed	Up to 150 mm (5.9 in) / second*		100 mm (3.9 in) / second*	
Print Resolution	200 dpi		200 dpi	
Power Source	AC 100 / 110 or 220 / 230 / 240 Volts (50 / 60 Hz) Auto Switch			
Operating Temperature	14°F to 104°F			
Humidity	15% to 85% RH			
Standard Interface	Ethernet 10 / 100 Base T, 4 x USB 2.0			
Net Weight	10.5 kg / 23.2 lb	11.5 kg / 25.4 lb	14.0 kg / 30.9 lb	13.3 kg / 29.3 lb
Options	AP-3002AN (USB Wireless LAN IEEE 802.11 a / b / g / n), BS-04, e.Label, InfoTag			
Factory Option	Linerless Printer with Auto-Cutter, Speed ID			



SM-5300P



SM-5300

PC Based System Scale Printer



SM-5300B



*Specifications are subject to change without prior notice.

DIGI AMERICA Inc.

76 Veronica Ave, Somerset NJ 08873 USA
 Tel: (732) 828 3633
 Email: Marketing@us.digi-group.com
 Web: www.digisystem.com/us



SM-5300 Variations

SM-5300B



SM-5300P



SM-5300SSP
(12.1")



SM-5300H



Linerless Labeling

Flexible Label Design
with Auto-Cutter

The SM-5300 offers the linerless with built-in auto-cutter functionality that allows printing of labels of variable lengths from a single roll of label.

- Attractive Label
- Reduce Label Cost
- Reduce Logistic Cost



Interactive Display

Captivate the Customer

The SM-5300 comes with a 7" WVGA customer display that shows useful information for your customers.

- Upsell
- Cross-Sell
- Recipes
- Promotions
- Advertisements

Product information, counter layout, cleaning procedure, hygiene and equipment manual can be displayed on demand for staff training.



7" WVGA Customer Display

e.Label..

Seamless Price Updates

- Attractive and High Contrast ePaper Display
- Operation Temperature: 0°C to +40°C
- Improve Counter Productivity
- Fast and Easy PLU Call Up
- Product Information
- Price Integrity
- IP67 Rating



Hi-Touch

Hi-Touch PLU System

e.Label With Hi-Touch
1.54", 2.7" & 4.2"

- Wireless Remote
- Preset Keys
- 3-Step Operation
- Reduce Error

- Effective Interactive Tool With Customers
- Works In Low Temperature Environment
- High Definition ePaper Display
- Low Energy Consumption
- Accurate Price Information
- Scannable Barcode
- Flexible Design Layout



Watermark Printing

Brand Awareness

Increase brand awareness and make your product labels more attractive by the versatile use of artistic effects.

Use it to your maximum advantage to increase sales and profits.



Auto-cutter ensures a smooth cut even after long term use.



waste management

Reduce Food Waste

With waste management feature, data can be collected for easy analysis through graphical reports. Notification can be sent when a product is nearing expiry so that swift actions can be taken to reduce wastage.

Protection features include Audit Trail, Price Override Lock, Password Protection and Wireless Network Security(WPA/WEP/LEAP)



Q management

Manage Queue
Status Efficiently

The integrated queue and collection system provides shoppers with the convenience to continue shopping while waiting for their turn to be called, effectively reducing walk-aways and increasing sales.

- Q-Alert Application
- Multiple Department Queue
- Customisable Queue / Collection Ticket



speedID

Intelligent Clerk Recognition

With the near field identification feature, it eliminates the tedious process of keying in clerk password manually. The scale detects the Speed ID tag and automatically registers the clerk.

- Fast Operation
- Clerk Operation Log

