



DS-502

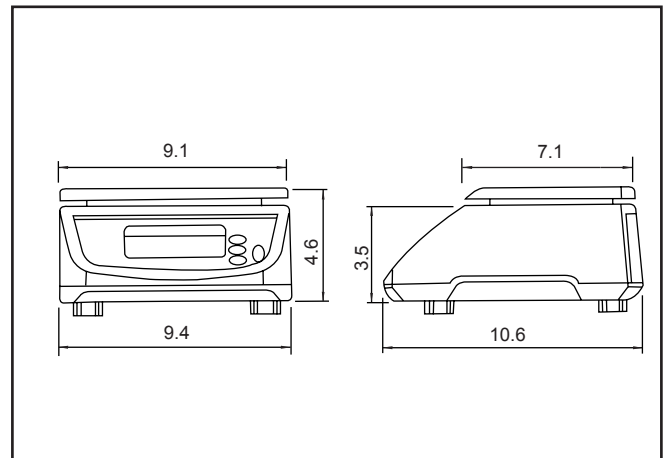
Weighing Scale



Specifications

Model	DS-502
Capacity	30 lb
Interval	e=0.005/0.01 lb
Weight Display	6 Digits LCD Display
Power Source	4x C size dry battery or AC/DC Adapter (DC 5V~12V, 100mA)
Power Consumption	0.04W when DC 6V, or dry battery
Operating Temperature	14 °F ~ 104 °F
Operating Humidity	15% ~ 85%RH
Dimensions	Overall size: 9.45(W) x 10.63(D) x 4.72(H) in Platter size: 9.06(W) x 7.09(D) in
Net Weight	4.85 lb (with battery)

External Dimensions (inches)



* Specifications are subject to change without notice

Packed with user-friendly features for perfect weighing operations

Waterproof loadcell

Light-weight and compact design

Three independent part, full waterproof

More than 600 hours of continuously use with 4 pieces C size dry batteries

Large figures LCD display

IP-65, water protection class

DIGI AMERICA Inc.

76 Veronica Ave, Somerset NJ 08873 USA
 Tel: (732) 828 3633
 Email: Marketing@us.digi-group.com
 Web: www.digisystem.com/us

