

Specifications

Wrapping

Package size Width: 130-380 mm (5.1-15 inches)
 Height: 10-130 mm (0.4-5.1 inches)*
 Depth: 80-254 mm (3.1-10 inches)**

Wrapping speed Max. 36 packages/min.
 Number of film roll One roll
 Film width 350-450 mm (14-18 inches)
 Film length Max. 1,500 m (4,900 feet)

* 150mm (5.9 inches) as factory option
 ** The combination of maximum size of each dimensions cannot be used.
 The size of the package that can be wrapped also depends on the film to use.

Weighing

Interval type	Single interval	Multi-interval	Multi-interval
Capacity	Max. 30 lb	Max. 30 lb	Max. 15kg
Scale interval	e=0.01 lb	e=0.005/0.01 lb	e=2/5g
Weighing range	0.20-30 lb	0.20-30 lb	40g-15kg
Max. wrapping capacity	11 lb	11 lb	5kg

Thermal printer

Label type	Die-cut label	Linerless label
Label width	40-80mm/1.6-3.1 inches	44-78mm/1.73-3.07 inches
Label length	28-105mm/1.1-4.1 inches	28-105mm/1.1-4.1 inches
Label roll diameter	Max. 210mm (8.2 inches)	
Label roll core diameter	76mm (3.0 inches)	
Dot density	12 dot/mm (300dpi)	

Operation console

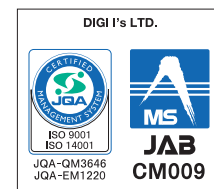
Display panel TFT LCD color (12.1 inches) touch panel
 Operation keys Mechanical keys and touch screen
 Memory for programmable files 8.8GB
 Operating system Linux

General

Power source and 208-240V; 1φ; 60Hz; 2.2kVA, 2.2kW
 power consumption 220-240V; 1φ; 50/60Hz; 2.2kVA, 2.2kW
 Net weight Approx. 400kg/882 lb (Single Labeler Type)
 Operation humidity 90%RH (max.) with no condensation

Options

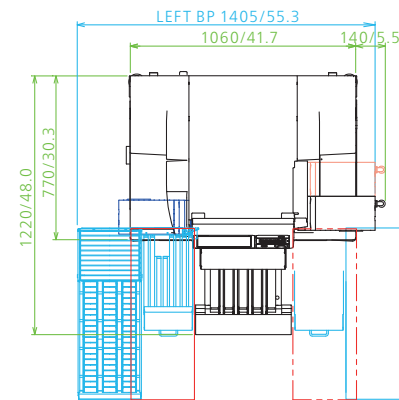
- POP Labeler
- Second Labeler
- Bottom Labeler
- WLAN IEEE 802.11 a/b/g/n
- Extension Legs



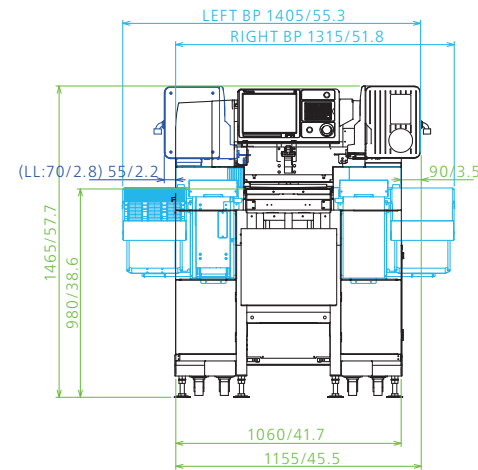
*Specifications are subject to change without prior notice.

Dimensions

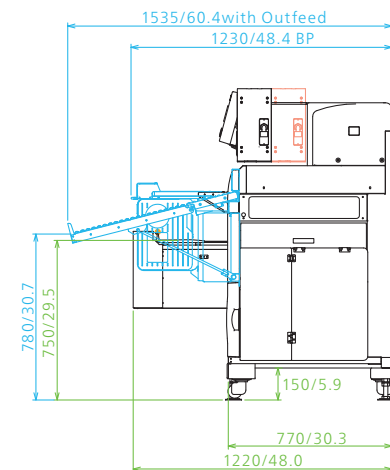
Top View



Front View



Side View



Unit = mm/ inches



AW-5600AT

Fully integrated weigh-wrap-label system



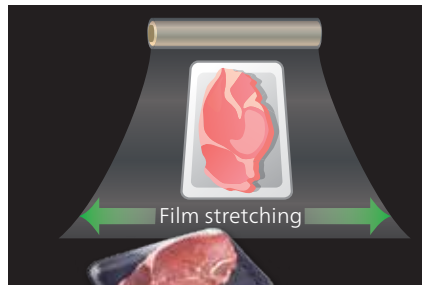
DIGI AMERICA Inc.

76 Veronica Ave, Somerset NJ 08873 USA
 Tel: (732) 828 3633
 Email: Marketing@us.digi-group.com
 Web: www.digisystem.com/us



Searching for a New Balance

Wrapping



Super Stretch Technology

DIGI's unique super-stretch technology allows dynamic film savings. AW-5600AT automatically determines the optimum wrapping conditions required to wrap the package.

Accurate Process Control

Automatically determines the optimum wrapping conditions by adjusting the degree of film stretching, depending on commodity size fed into the machine. Regular styrene, dark and color trays can be detected by the wrapper. The AW-5600AT also corrects and controls the labelling position according to the location of the commodity placed at the infeed.

Easy Film Change

Film loading is done from the front of the machine with ease so film waste is very minimal. You can smoothly return to wrapping operation after only a minimum of down time.



Multi-Labeling System

Integrated with optional POP and Bottom Labeler, performs all the labeling in one process.

Optional POP Labeler:

Prints and applies a POP label simultaneously with the main price label

Optional Bottom Labeler:

Prints and applies an additional label onto the bottom of the package

Labeling options

AW-5600AT can be equipped with several labeler options.

- Twin labeler
- POP labeler
- Bottom labeler

POP Labeler



Bottom Labeler

Small foot print
AW-5600AT requires a small area for installation.



Features



Easy-To Clean Design

The built-in scale at the infeed is protected from debris. Some parts are detachable for easier cleaning.



Accurate Label Placement

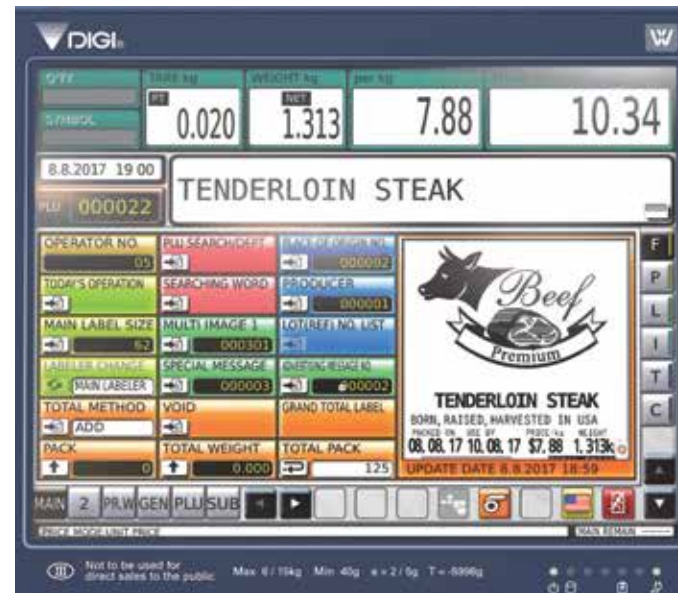
Robot arm labeling system automatically applies labels on the trays. Position and angle can be selected per PLU.



High Productivity

Provides superior wrapping performance up to 36 packs/min. (Speed depends on commodity size)

Operator Screen



12.1 in Full Color Touch Screen

Label print content can be previewed on the display, helping to prevent labeling errors. Preset and frequently used function keys can be assigned for quick access. Size, color and location can be changed to suit your operation.

78 mm Width 300 dpi Thermal Head

A new 300 dpi thermal head enables clear and crisp label print. The 800 mm of print width still allows large label sizes to be used for more information when needed. Head security function is equipped as standard, to prevent dot missing.

Multi-Language Operator Interface



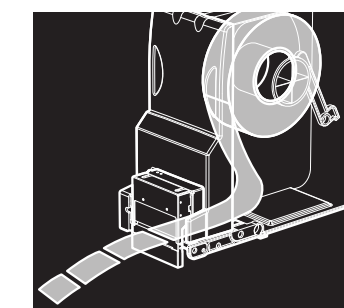
Featuring Linerless Labeling

No More Wasted White Space

Auto-label-sizing feature eliminates unused space on the label and automatically adjusts the label size. This reduces the label cost and makes labels more attractive.

Increased Flexibility in Label Formats

The auto-cut features cuts from a continuous strip of Linerless labels every time a label is printed. Variable labels every time a label is printed. Variable label layouts and sizes can be printed from a single roll.



ex. 86mm ▶ 60mm

Cost Savings, Flexible on demand advertisement.

Pop Labels

An optional POP Labeler for a second eye catching label totally rationalizes your backroom operations by saving time, labor, and cost of labels.

