



# **PART CATALOG**

## **PC SCALE PRINTER**

### **SM-5300 SERIES**

**3rd Edition - December 2015**

TERAOKA WEIGH-SYSTEM PTE. LTD.  
4 LENG KEE ROAD #06-01 SiS BUILDING SINGAPORE 159088  
TEL: +65 6472 2996 FAX: +65 6472 2869

COPYRIGHT © 2015 TERAOKA WEIGH-SYSTEM PTE. LTD.

## CONTENT

### MAIN ASSEMBLY BLOCK

1	SM-5300 Bench	-----	1
2	SM-5300 Pole	-----	2
3	SM-5300 LL Bench	-----	3
4	SM-5300 LL Pole	-----	4
5	SM-5300 SSP	-----	5
6	SM-5300 EV	-----	6
7	SM-5300 LL SSP	-----	7
8	SM-5300 LL EV	-----	8

### SUB ASSEMBLY BLOCK

1	PLATTER SUPPORT BLOCK	-----	9
3	PLATTER BLOCK	-----	9
4	TOP COVER BLOCK	-----	9
8	MAIN FRAME BLOCK	-----	10
9	SM-5300 STD PRINTER BLOCK	-----	11
12	FRONT PRINTER COVER BLOCK	-----	12
13	7" OPERATOR DISPLAY BLOCK	-----	13
15	NMB LOADCELL BLOCK	-----	14
16	7" CUSTOMER DISPLAY BLOCK	-----	14
18	AD BLOCK	-----	16
23	CASSETTE SM-5300 STD BLOCK	-----	16
24	POLE BLOCK	-----	17
25	LL PRINTER BLOCK	-----	17
27	ROLLER BLOCK	-----	18
28	AUTO CUTTER BLOCK	-----	19
29	OIL TANK BLOCK	-----	19
30	SSP 19IN OPERATOR DISPLAY BLOCK	-----	20
31	SSP & EV POLE BLOCK	-----	21
32	SSP & EV POLE HOLDER BLOCK	-----	22

### ACCESSORIES DIAGRAM

	ACCESSORIES DIAGRAM	-----	23

### BLOCK DIAGRAM

	BLOCK DIAGRAM	-----	24

### MAIN ASSEMBLY PART LISTING

	MAIN ASSEMBLY PART LISTING	-----	26

## CONTENT

### SUB ASSEMBLY PART LISTING

1	PLATTER SUPPORT BLOCK	-----	27
3	PLATTER BLOCK	-----	27
4	TOP COVER BLOCK	-----	27
8	MAIN FRAME BLOCK	-----	27
9	SM-5300 STD PRINTER BLOCK	-----	28
12	FRONT PRINTER COVER BLOCK	-----	29
13	7" OPERATOR DISPLAY BLOCK	-----	30
15	NMB LOADCELL BLOCK	-----	30
16	7" CUSTOMER DISPLAY BLOCK	-----	31
18	AD BLOCK	-----	31
23	CASSETTE SM-5300 STD BLOCK	-----	32
24	POLE BLOCK	-----	33
25	LL PRINTER BLOCK	-----	33
27	ROLLER BLOCK	-----	35
28	AUTO CUTTER BLOCK	-----	36
29	OIL TANK BLOCK	-----	36
30	SSP 19IN OPERATOR DISPLAY BLOCK	-----	36
31	SSP & EV POLE BLOCK	-----	37
32	SSP & EV POLE HOLDER BLOCK	-----	38

### COMPONENT LISTING

12-3	SM5500 IF BLK BL(PEEL SENSOR)	-----	39
13-12	E.ASSY(SM5300 BASE & CPU U HEATSINK)	-----	39
13-13	SM5300 KEYBOARD	-----	39
13-21	E.ASSY(BASE&CPU BD W HEATSINK FOR BS&EV)	-----	40
16-1	IO BLK AE(HOLITECH SM5300&DELIOUS PICO)	-----	40
18-3	SM5500 I/F BLK AD(SM_07 AD)	-----	42
30-11	SM5300 IO BLK AH(TOUCH EXT)	-----	43
30-12	IO BLK AG(AUDIO_TOUCH)	-----	43
31-17	SM5300EV RELAY BD BLK AB	-----	46

### MISCELLANIOUS

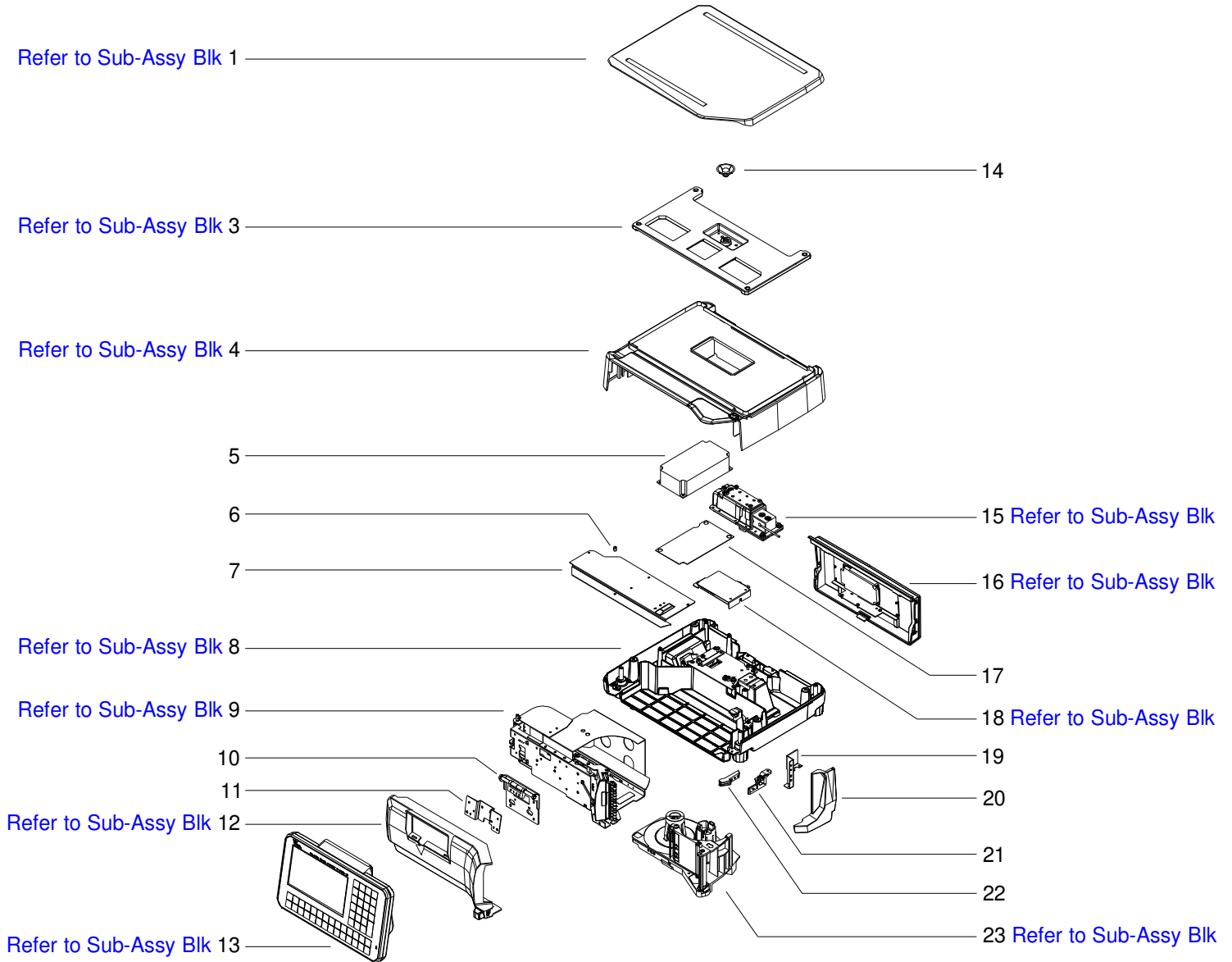
	CONNECTOR WIRE	-----	50
	STICKERS	-----	51
	SCREWS & NUTS	-----	52
	OTHER	-----	53

### REVISION HISTORY

	REVISION HISTORY	-----	54

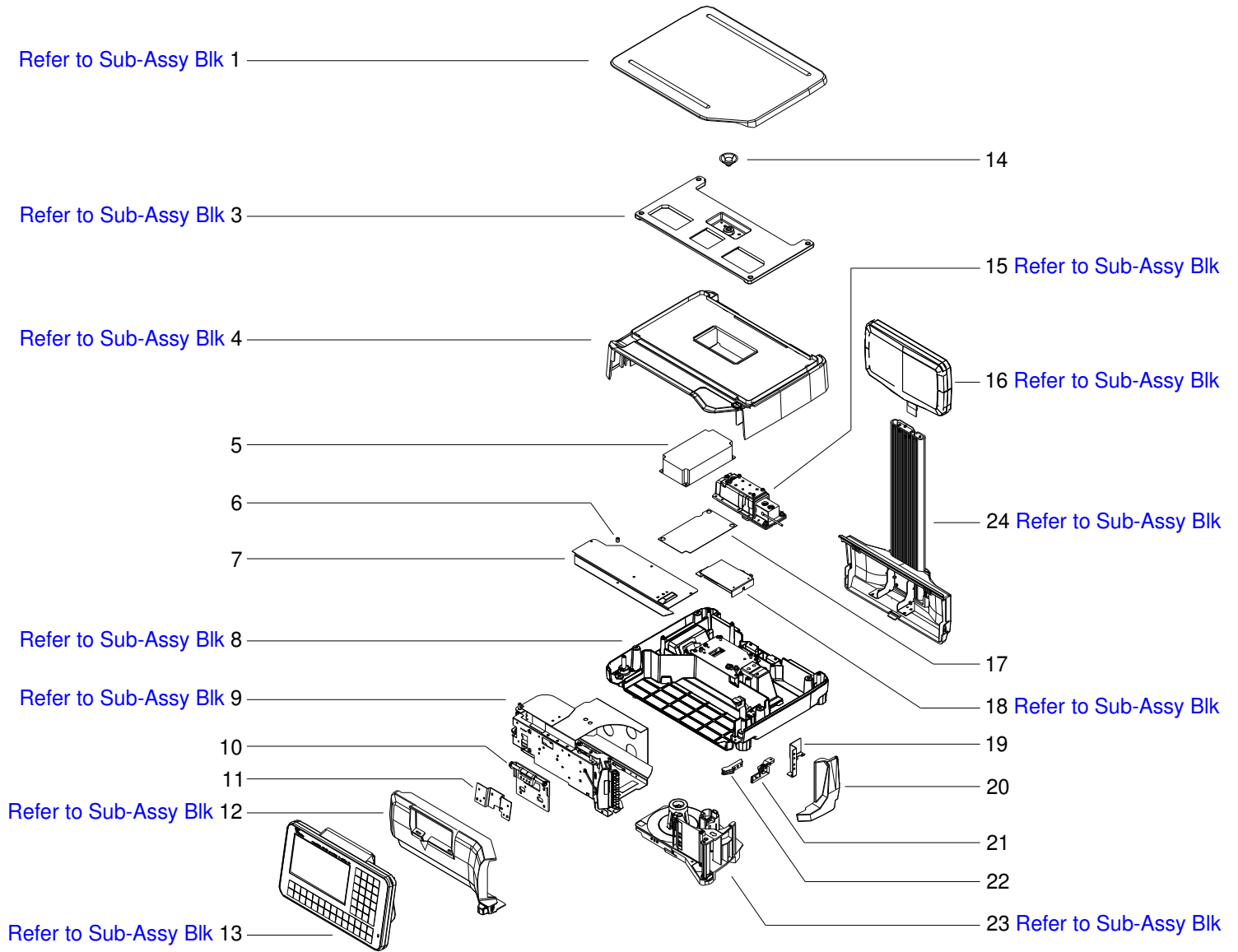
**MAIN ASSEMBLY BLOCK**

**1. SM-5300 Bench**  
**SM5300 B**



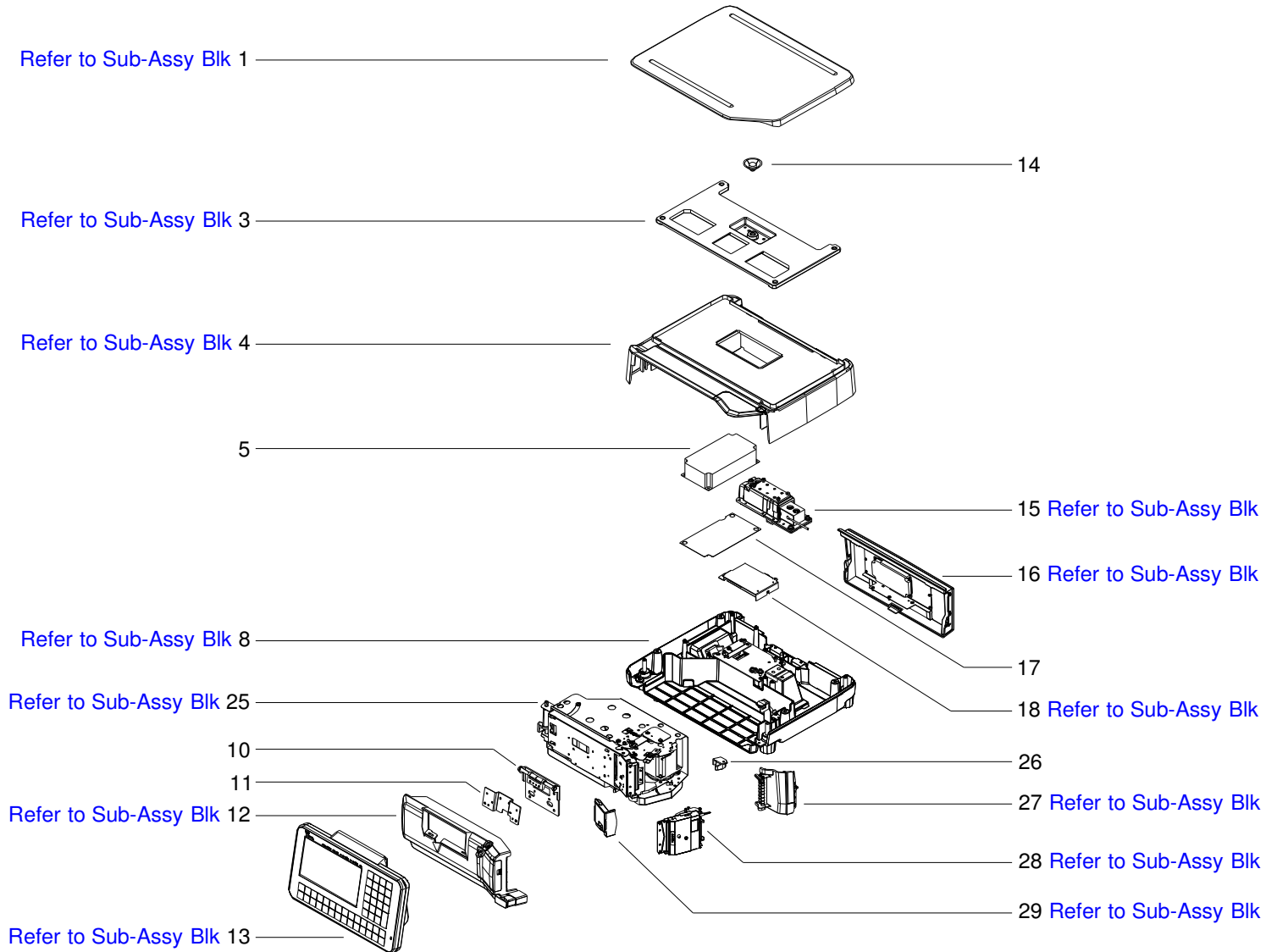
**MAIN ASSEMBLY BLOCK**

**2. SM-5300 Pole**  
**SM5300 P**



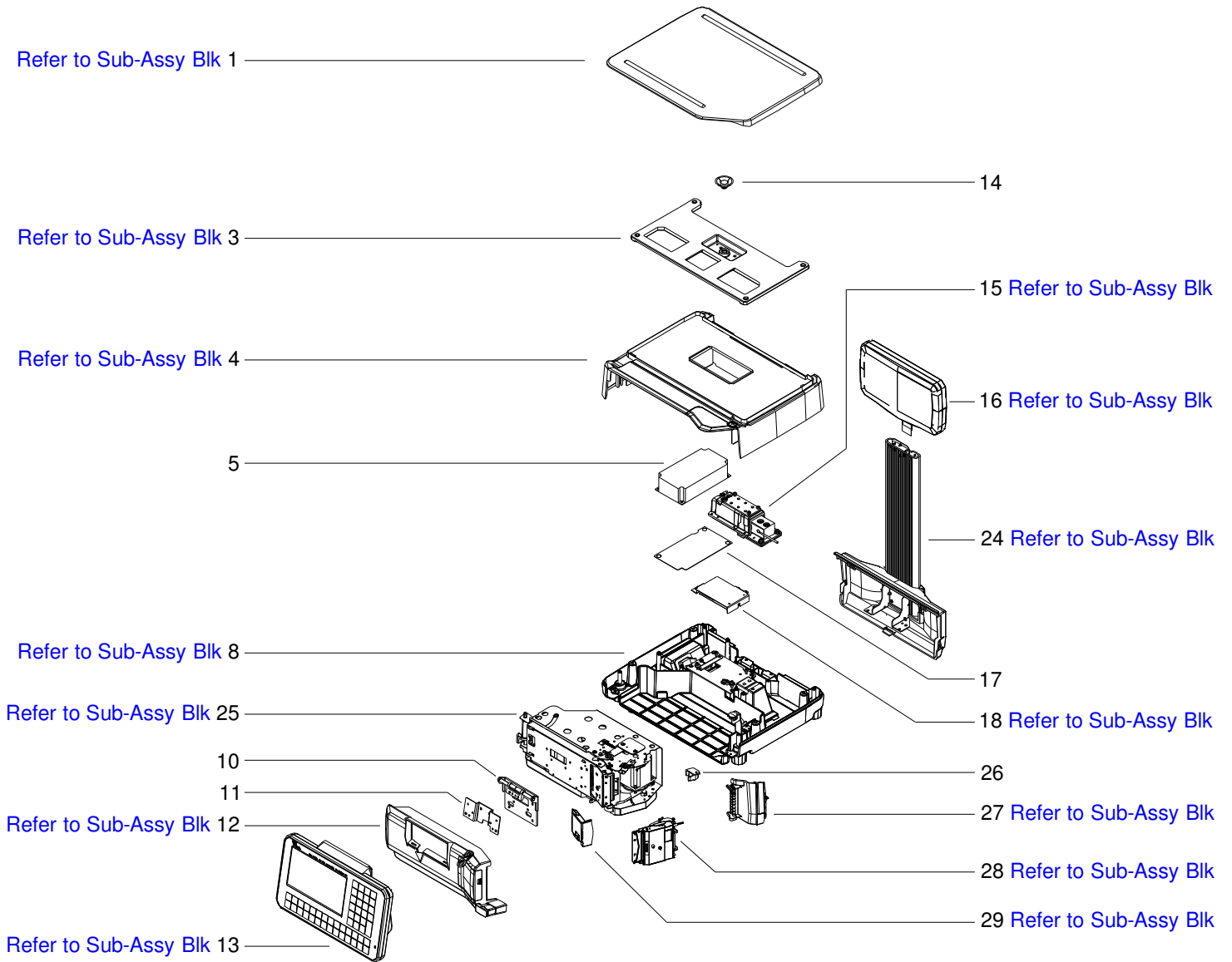
**MAIN ASSEMBLY BLOCK**

**3. SM-5300 LL Bench**  
**SM5300 LL B**



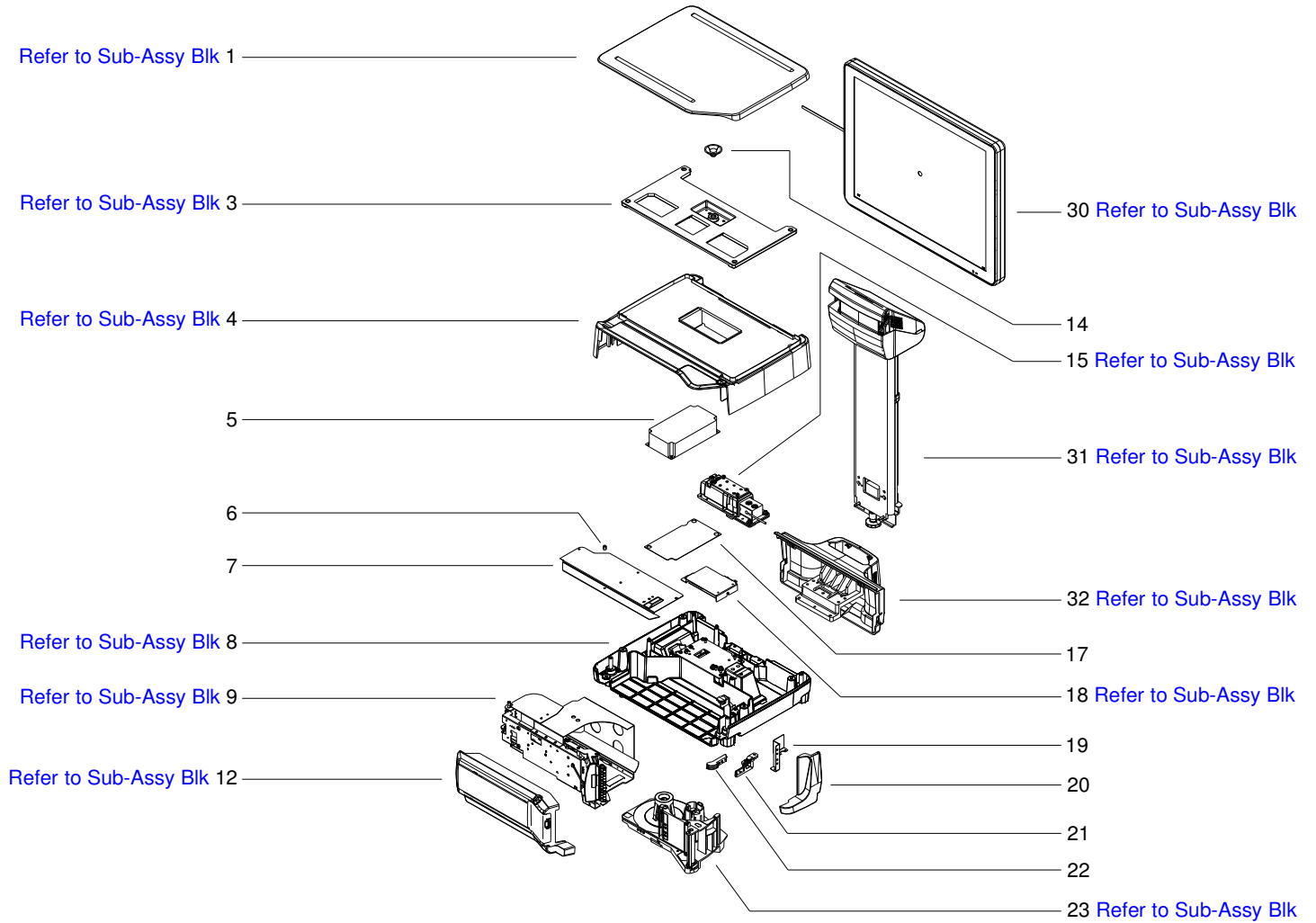
**MAIN ASSEMBLY BLOCK**

**4. SM-5300 LL Pole**  
**SM5300 LL P**



**MAIN ASSEMBLY BLOCK**

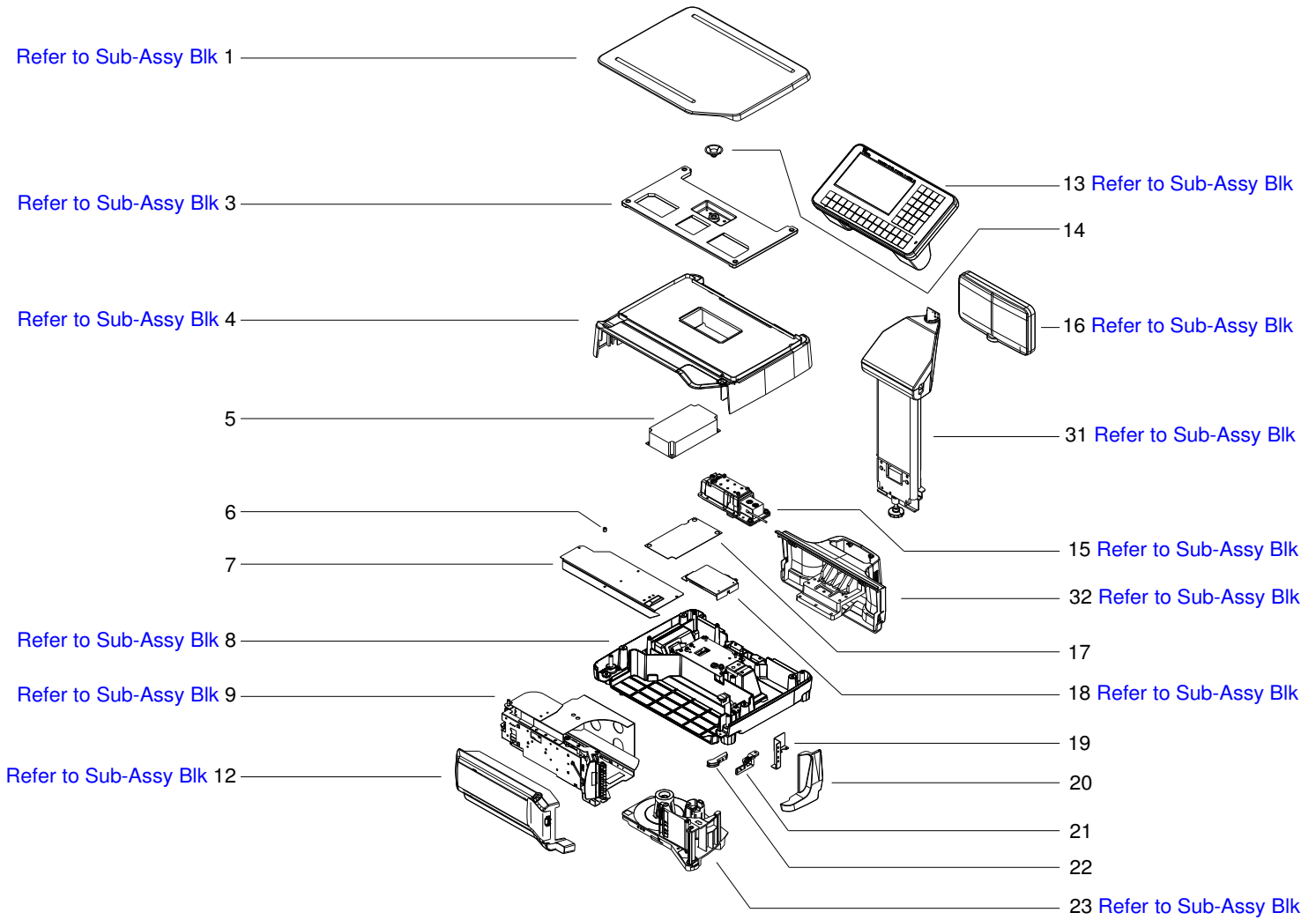
**5. SM-5300 SSP**





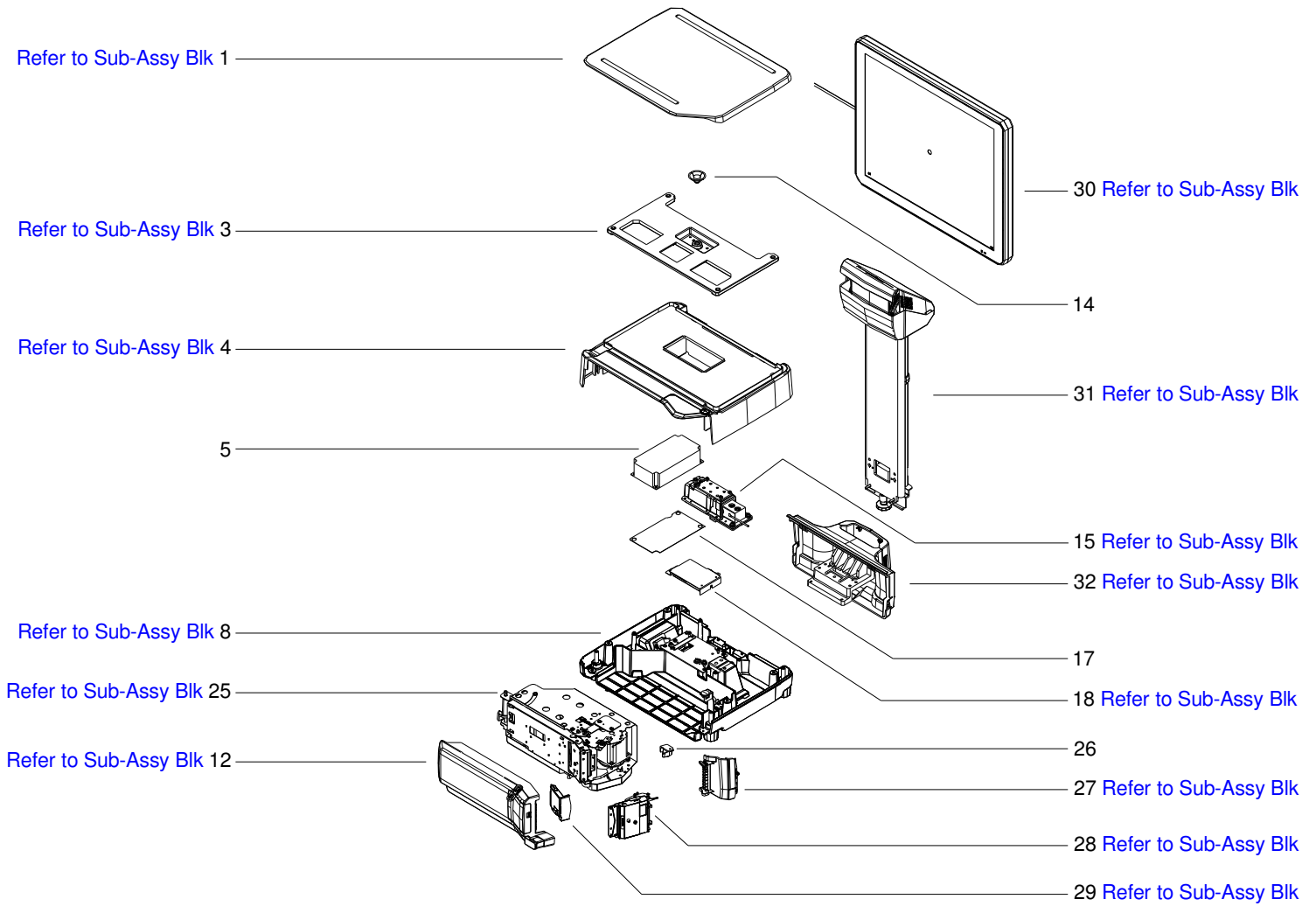
**MAIN ASSEMBLY BLOCK**

**6. SM-5300 EV**



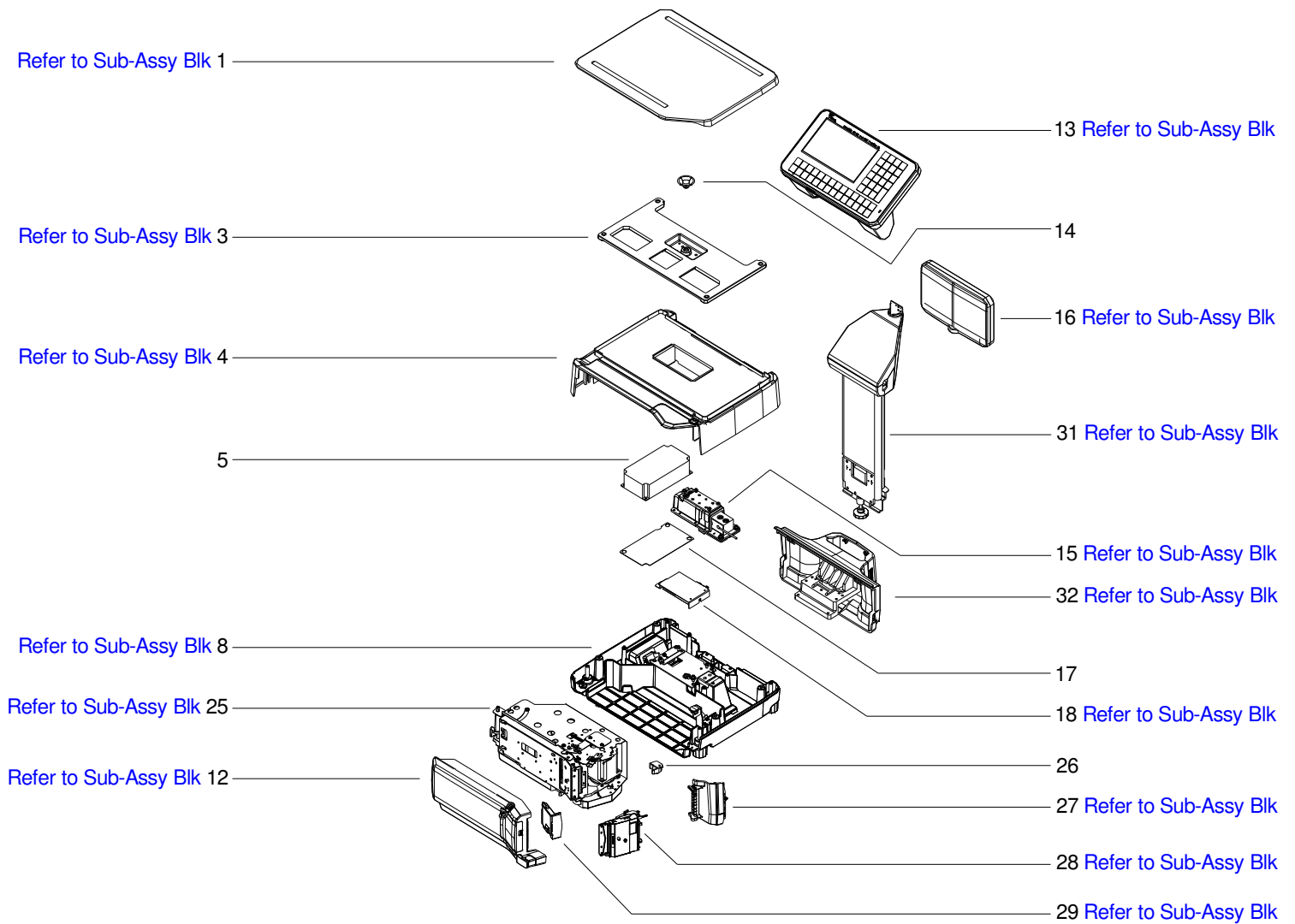
**MAIN ASSEMBLY BLOCK**

**7. SM-5300 LL SSP**



**MAIN ASSEMBLY BLOCK**

**8. SM-5300 LL EV**

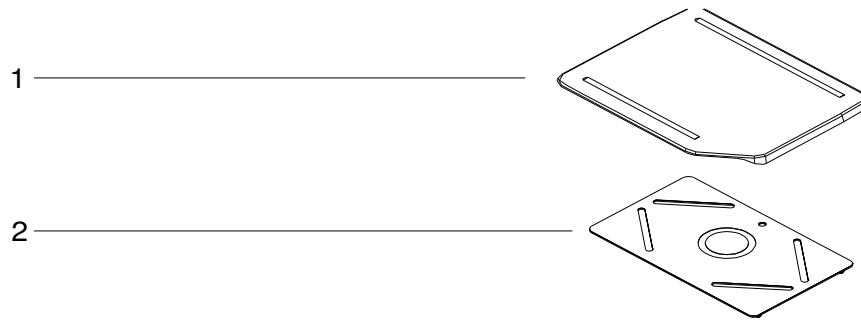


**SUB ASSEMBLY BLOCK**

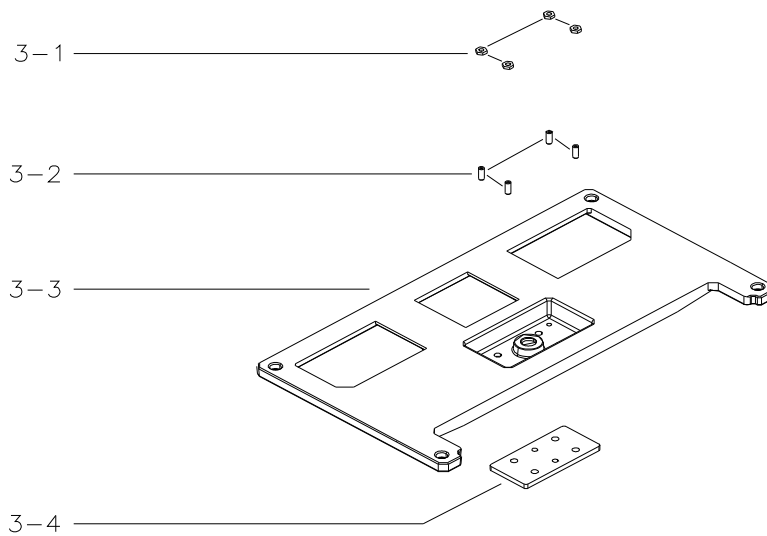
**1. PLATTER SUPPORT BLOCK (44017060103200\*BLK ASSY PLATTER SM5300 FOR SVC)**

NOTE:

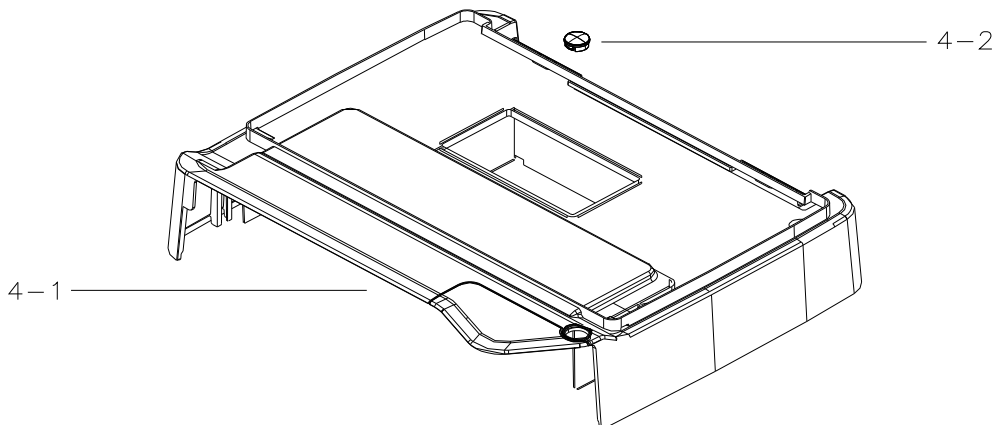
Item 1 & Item 2 must be assembled before delivery to customer



**3. PLATTER BLOCK**

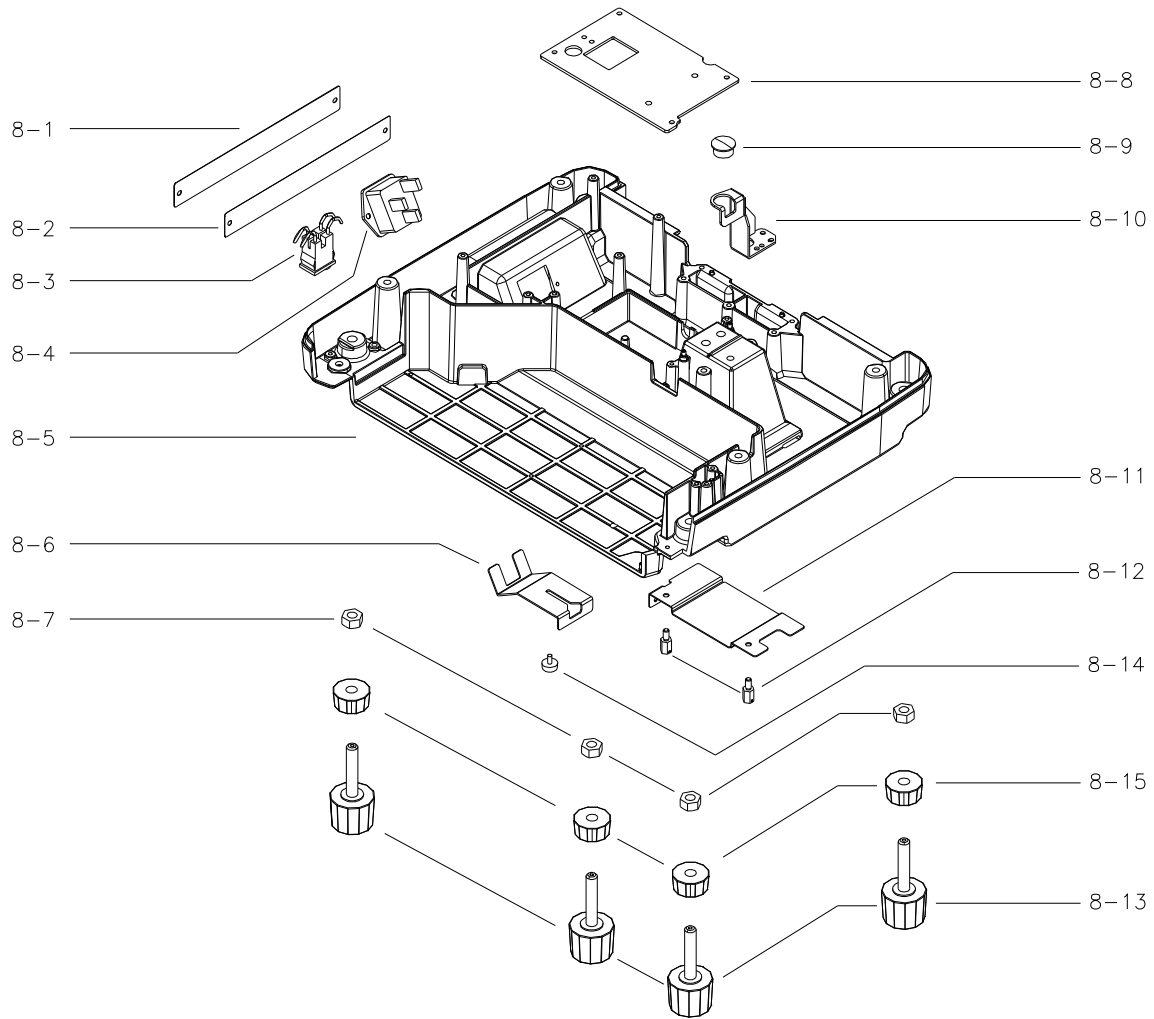


**4. TOP COVER BLOCK**



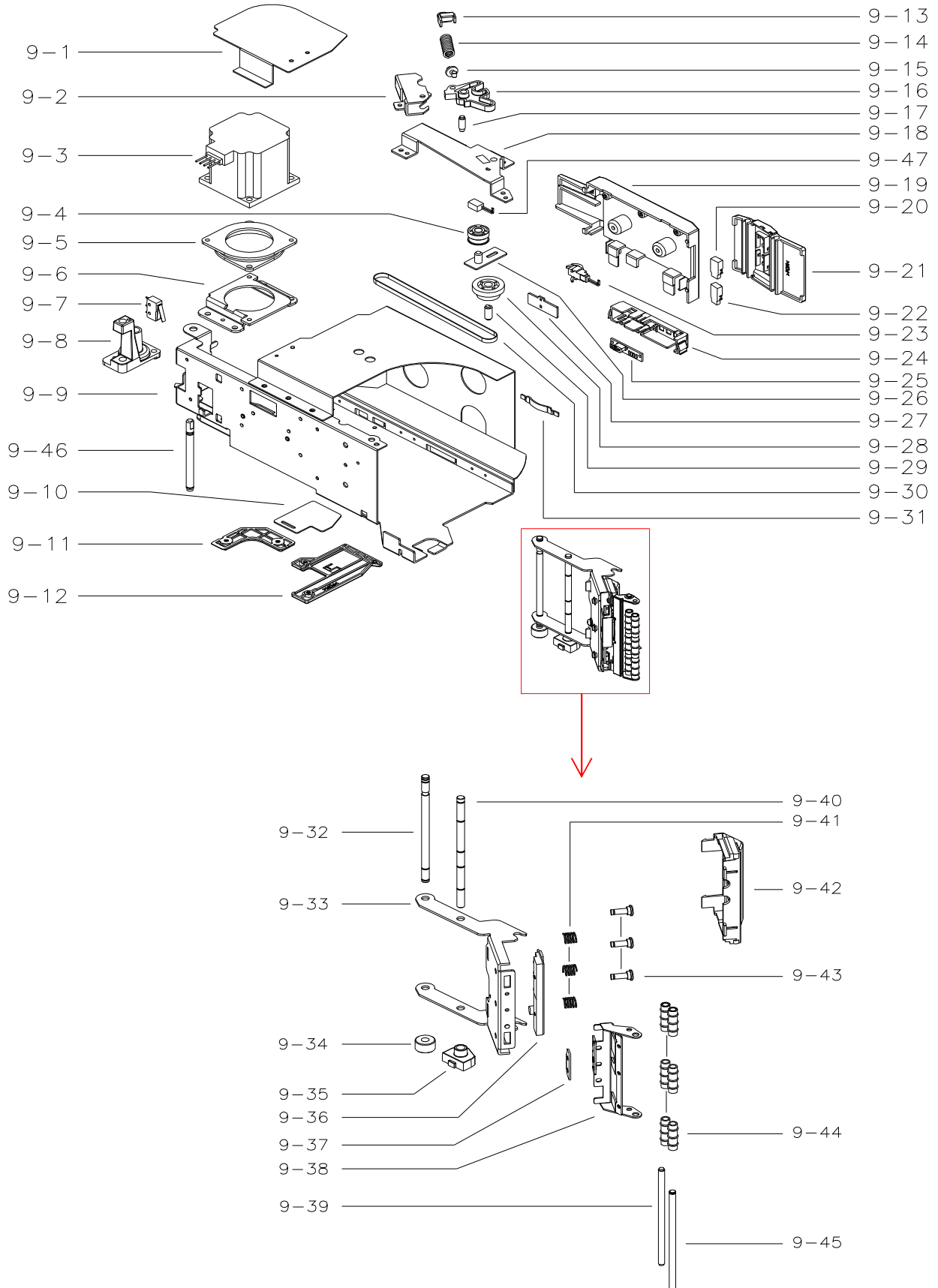
**SUB ASSEMBLY BLOCK**

**8. MAIN FRAME BLOCK**



**SUB ASSEMBLY BLOCK**

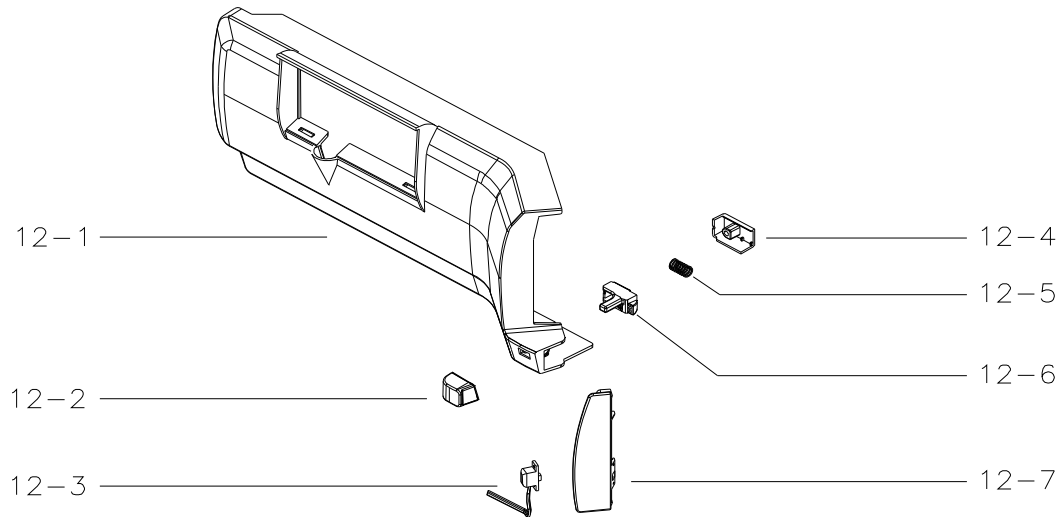
**9. SM-5300 STD PRINTER BLOCK**



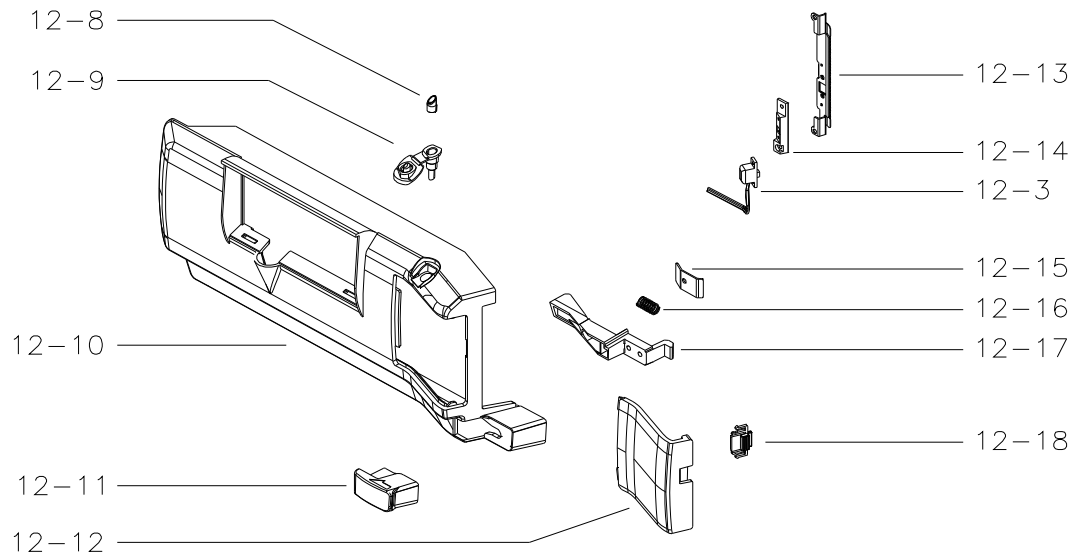
**SUB ASSEMBLY BLOCK**

**12. FRONT PRINTER COVER BLOCK**

**Standard Printer (Bench, Pole, SSP, EV)**



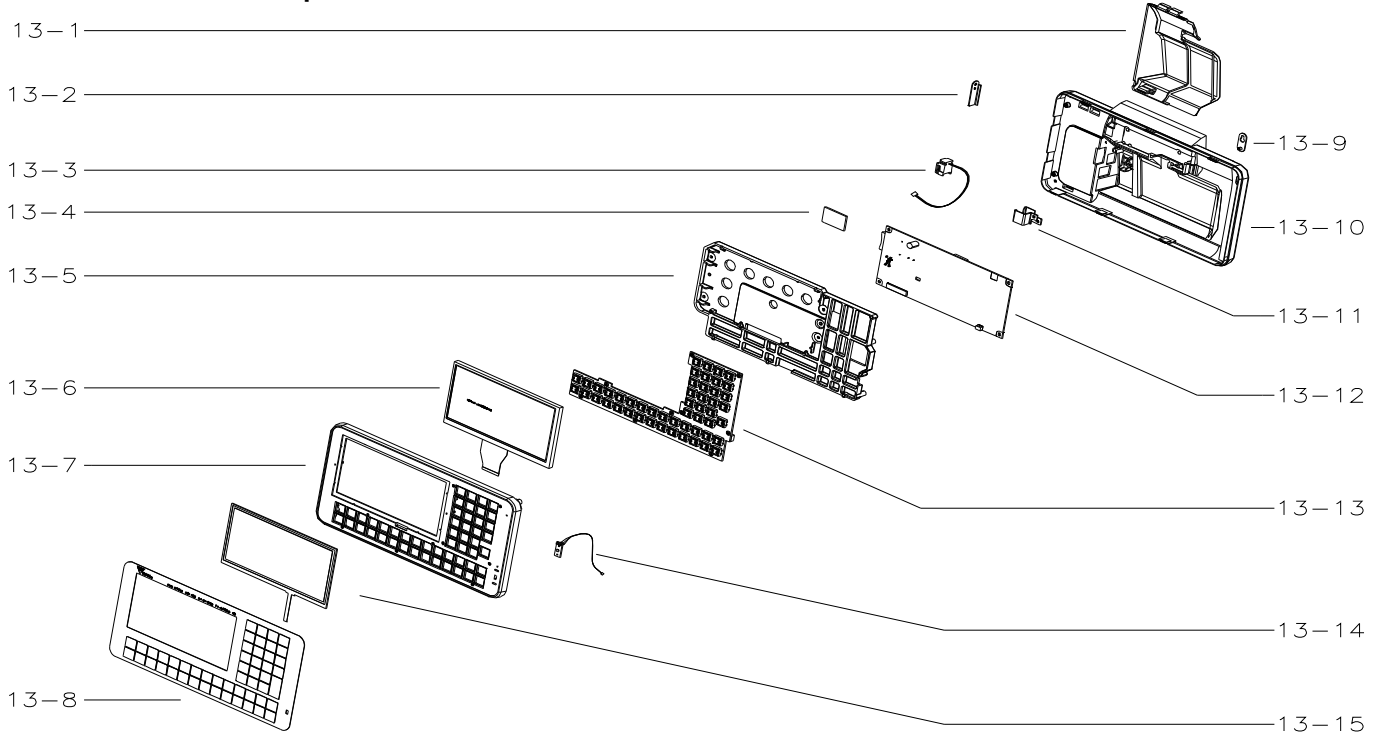
**LL Printer (Bench, Pole, SSP, EV)**



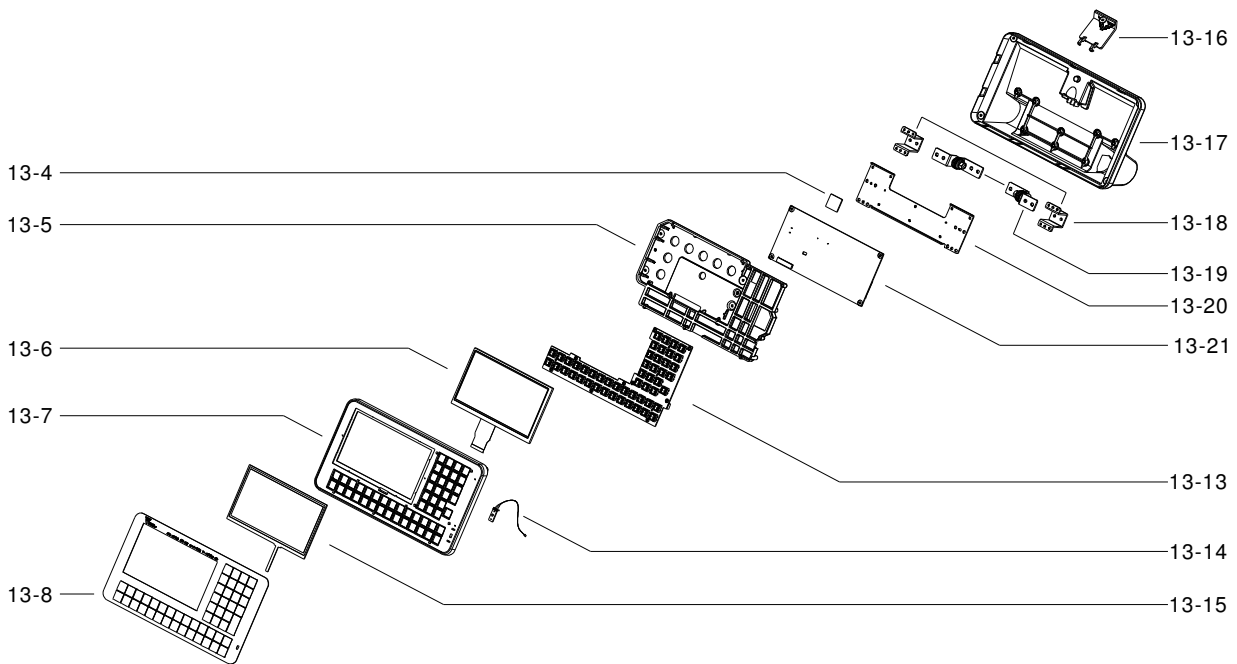
**SUB ASSEMBLY BLOCK**

**13. 7" OPERATOR DISPLAY BLOCK**

**Bench & Pole Option**



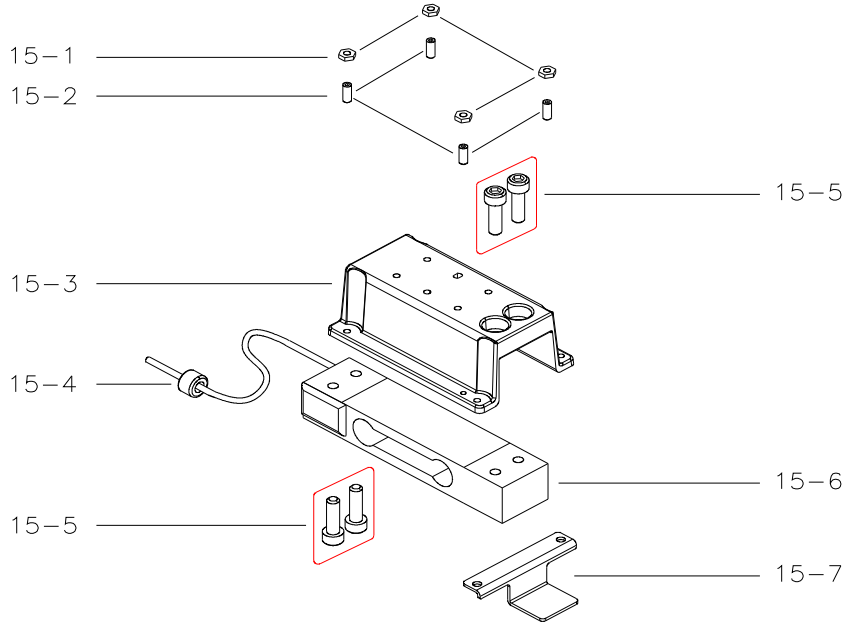
**EV Option**





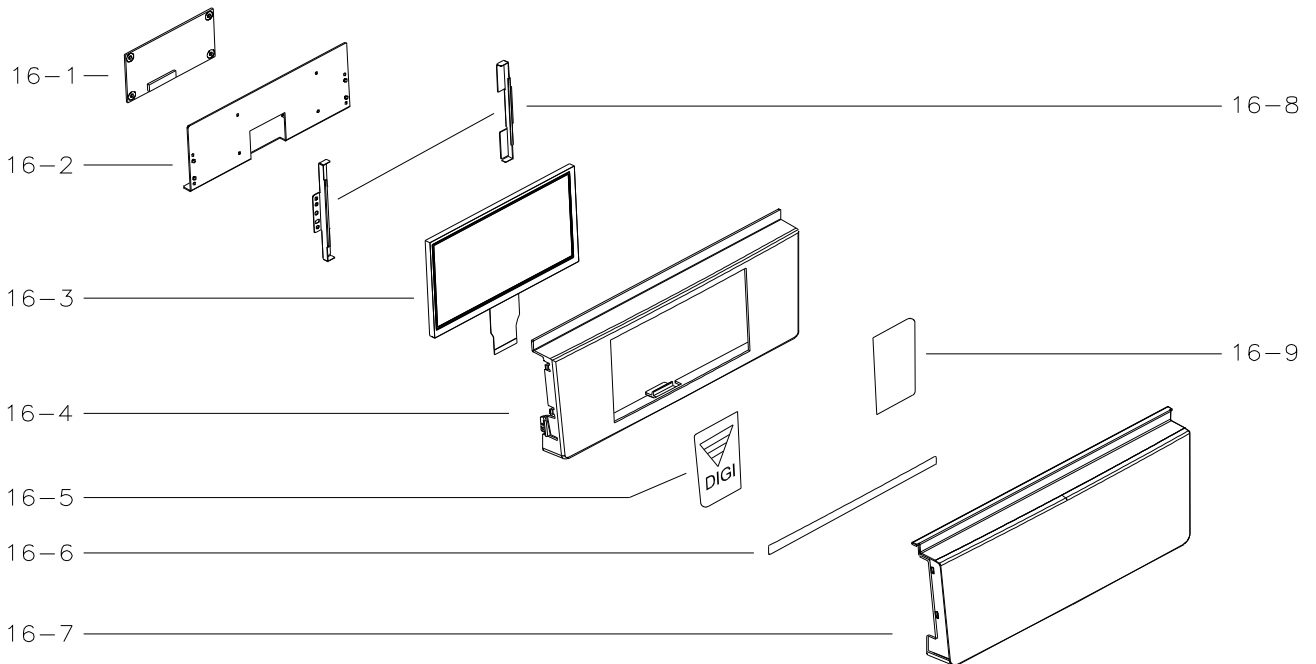
**SUB ASSEMBLY BLOCK**

**15. NMB LOADCELL BLOCK**



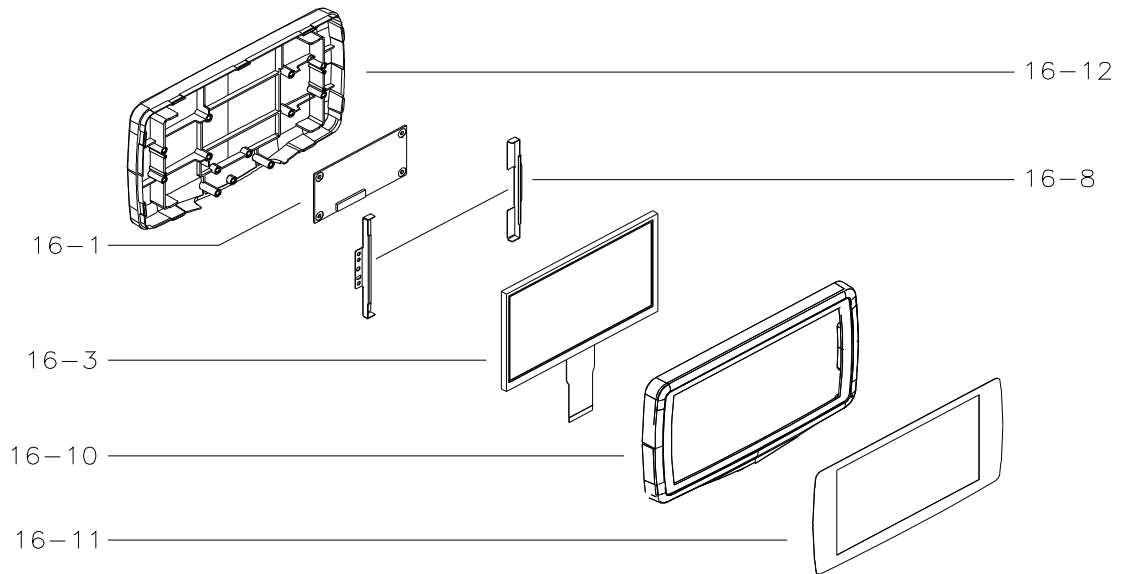
**16. 7" CUSTOMER DISPLAY BLOCK**

**Bench Option**

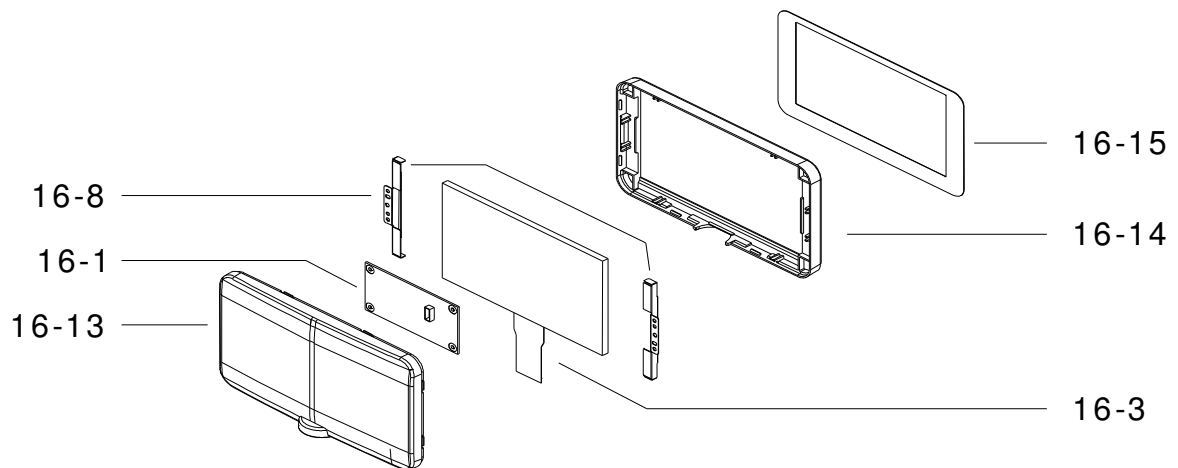


**SUB ASSEMBLY BLOCK**

**Pole Option**

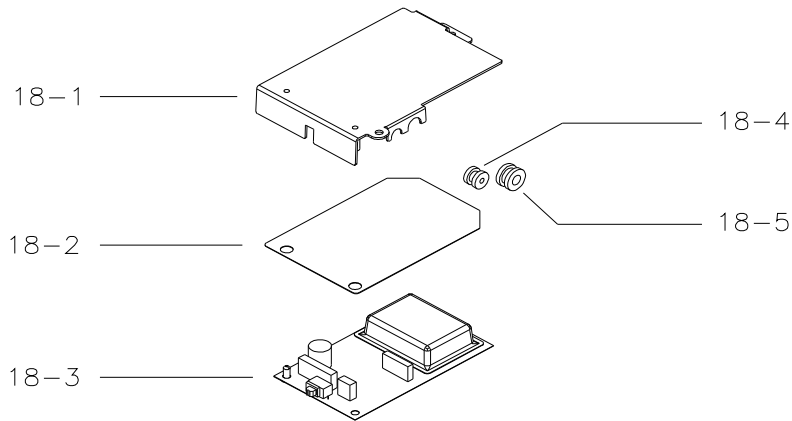


**EV Option**

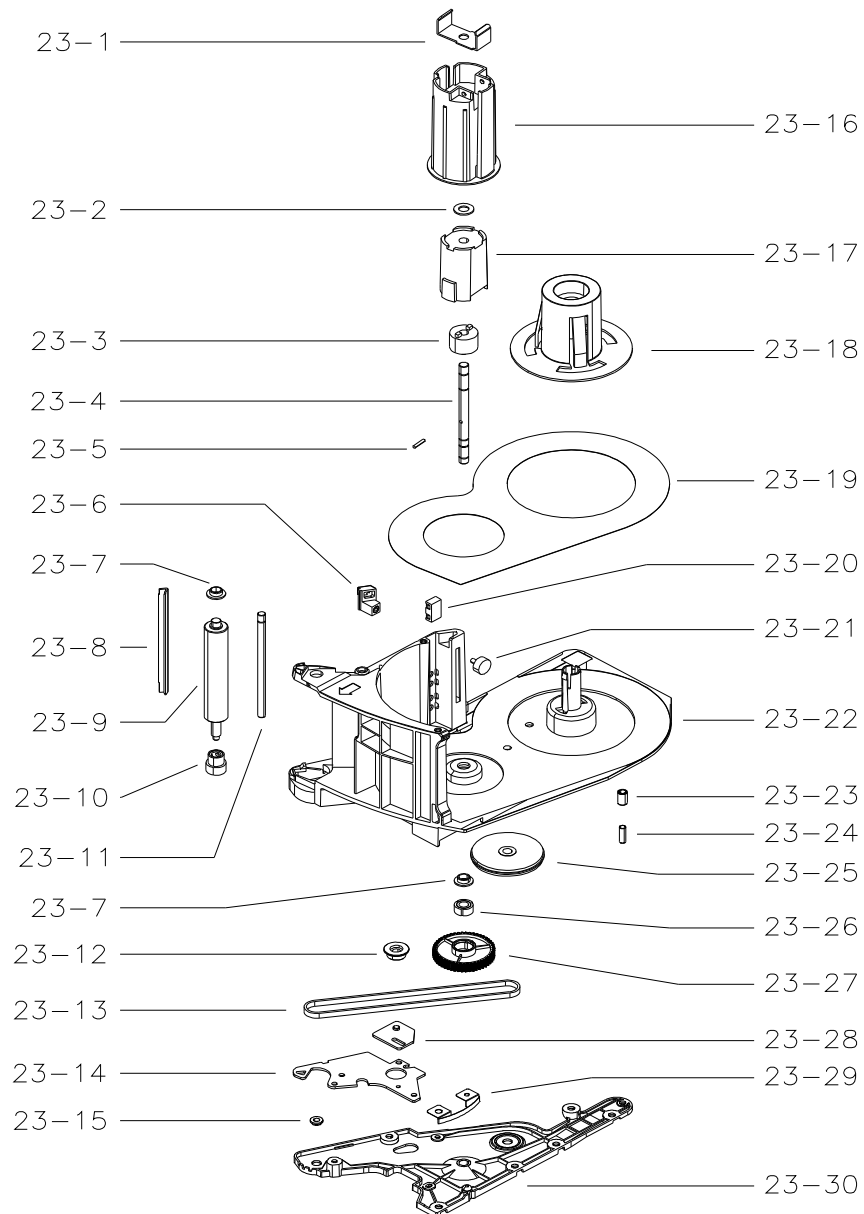


**SUB ASSEMBLY BLOCK**

**18. AD BLOCK**



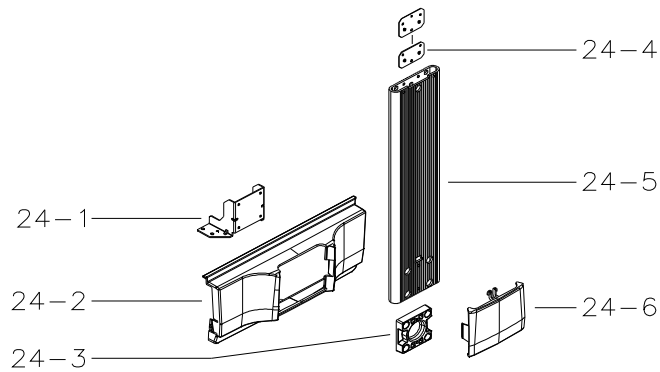
**23. CASSETTE SM-5300 STD BLOCK**



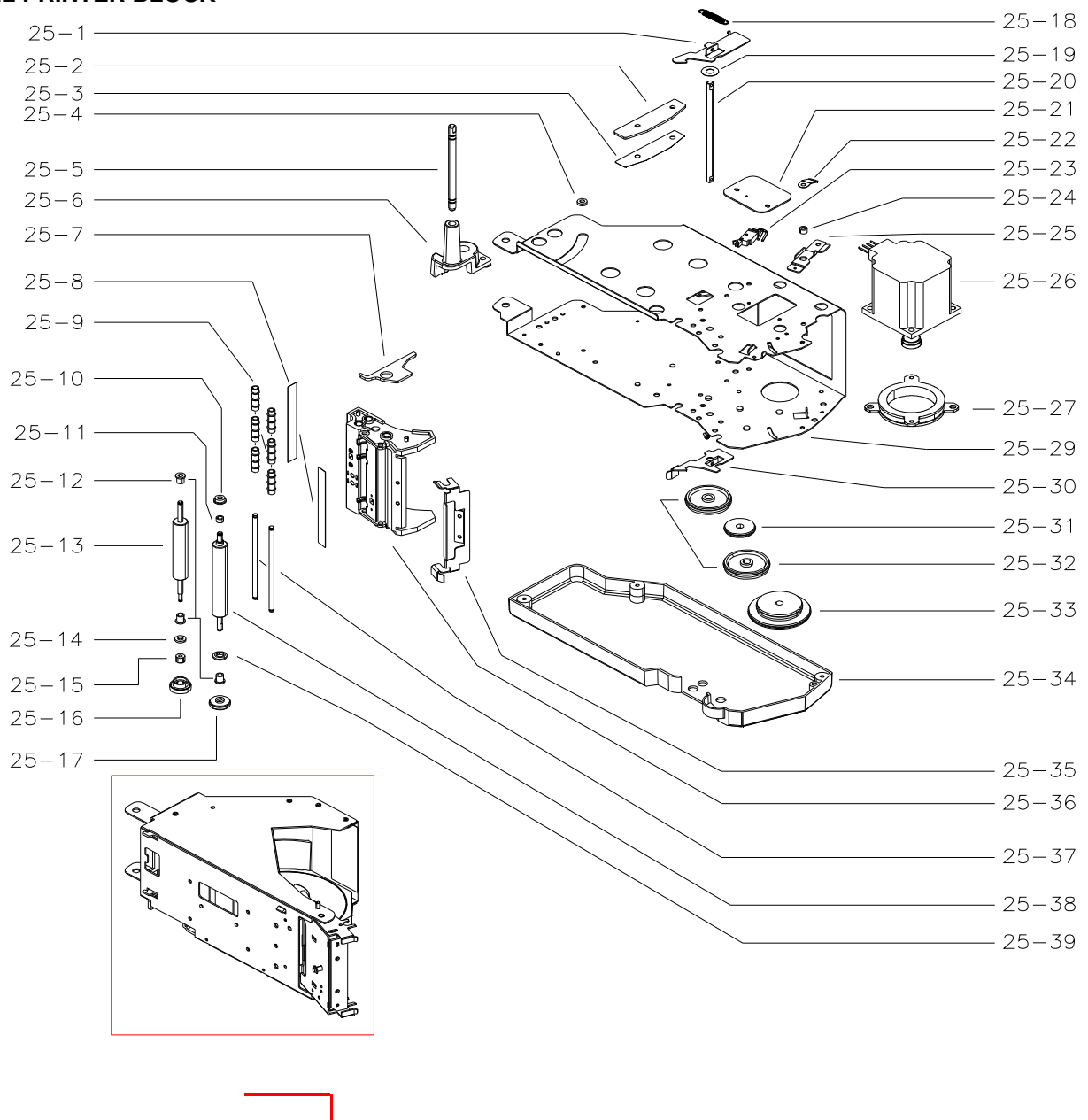
**SUB ASSEMBLY BLOCK**

**24. POLE BLOCK**

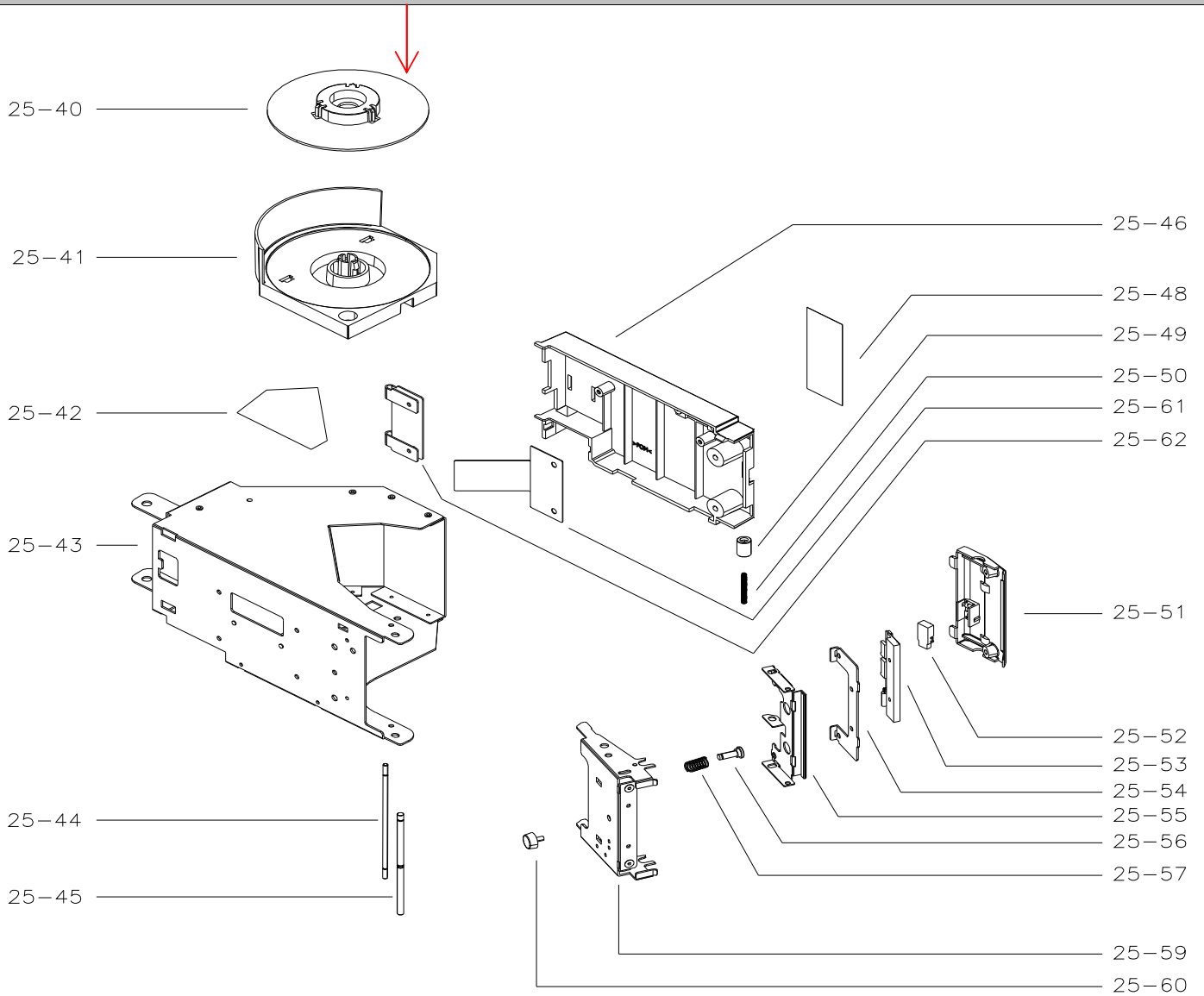
**POLE STD**



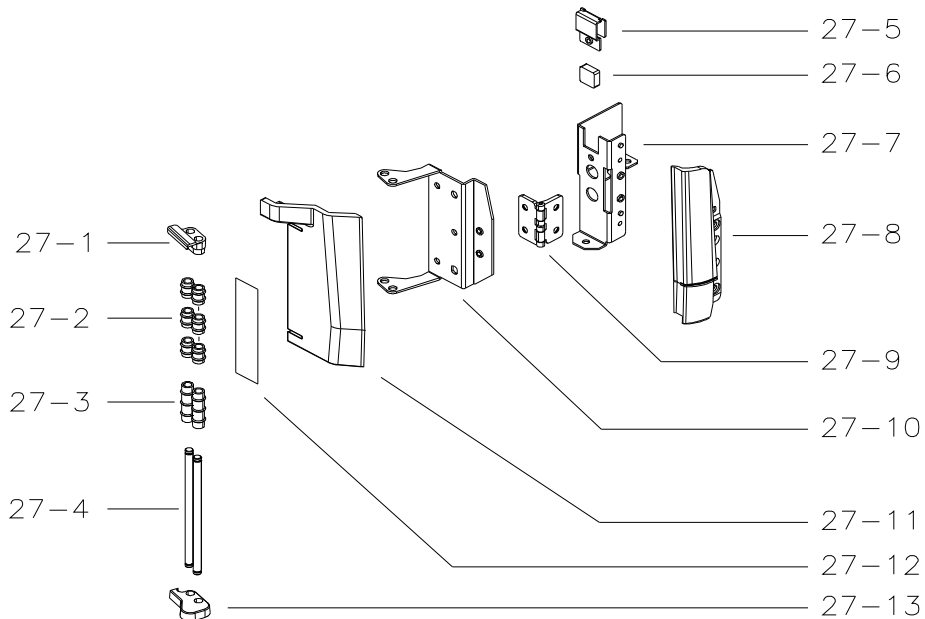
**25. LL PRINTER BLOCK**



**SUB ASSEMBLY BLOCK**



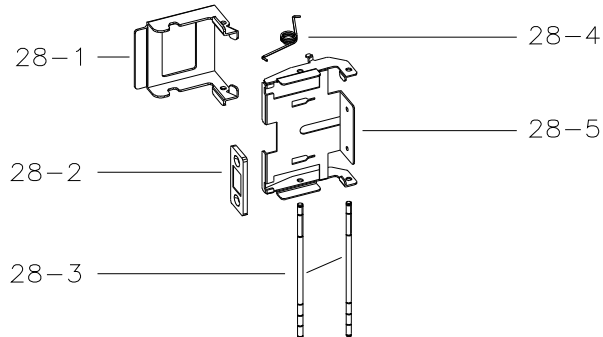
**27. ROLLER BLOCK**



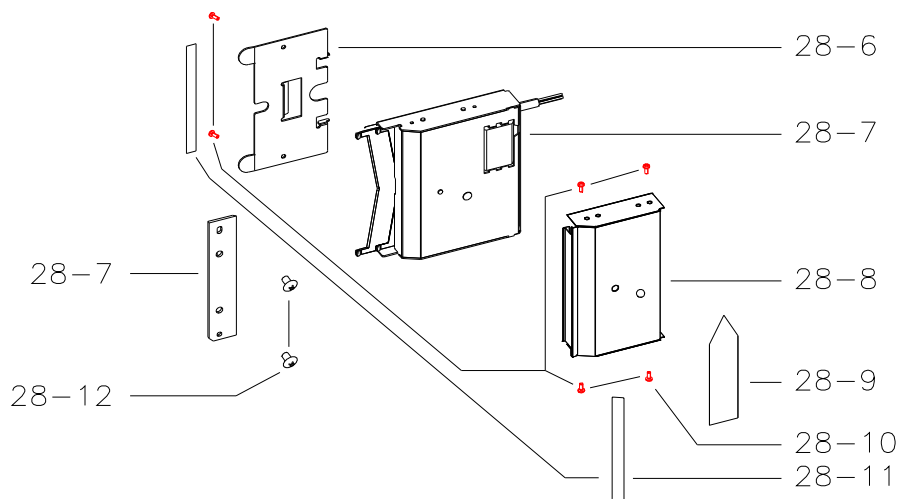
**SUB ASSEMBLY BLOCK**

**28. AUTO CUTTER BLOCK**

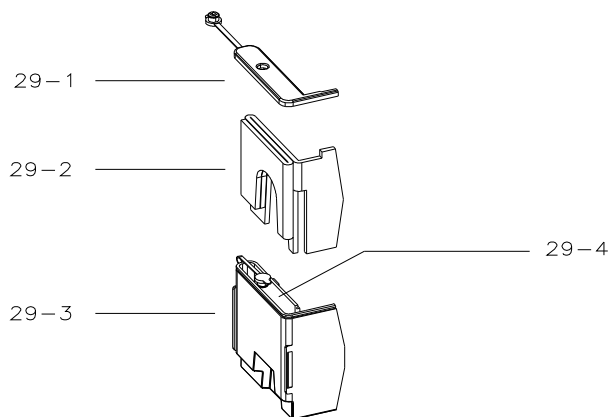
**AUTO CUTTER BASE**



**44017060103660\*BLK(SM5300 LL AUTO CUTTER\_SCV)**



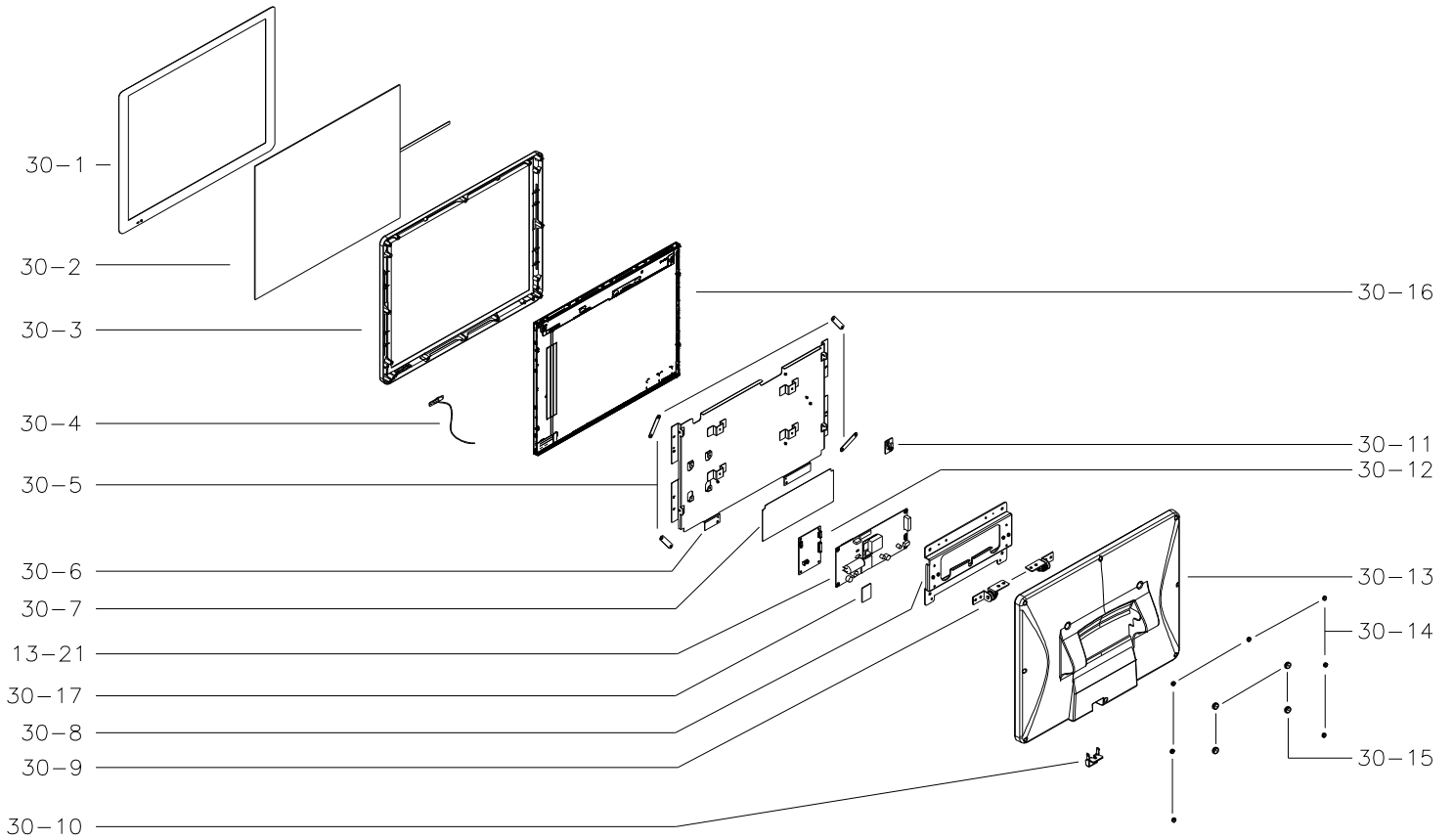
**29. OIL TANK BLOCK (PN:44017060103650\*(BLK(SM5300/SM5500a OIL TANK FOR LL\_SCV))**



NOTE:  
Filled with 30Y09HKF96ADF2\*SILICONE KF-96ADF-1000CS(1KG) Qty: 6ml (item 29-4)

**SUB ASSEMBLY BLOCK**

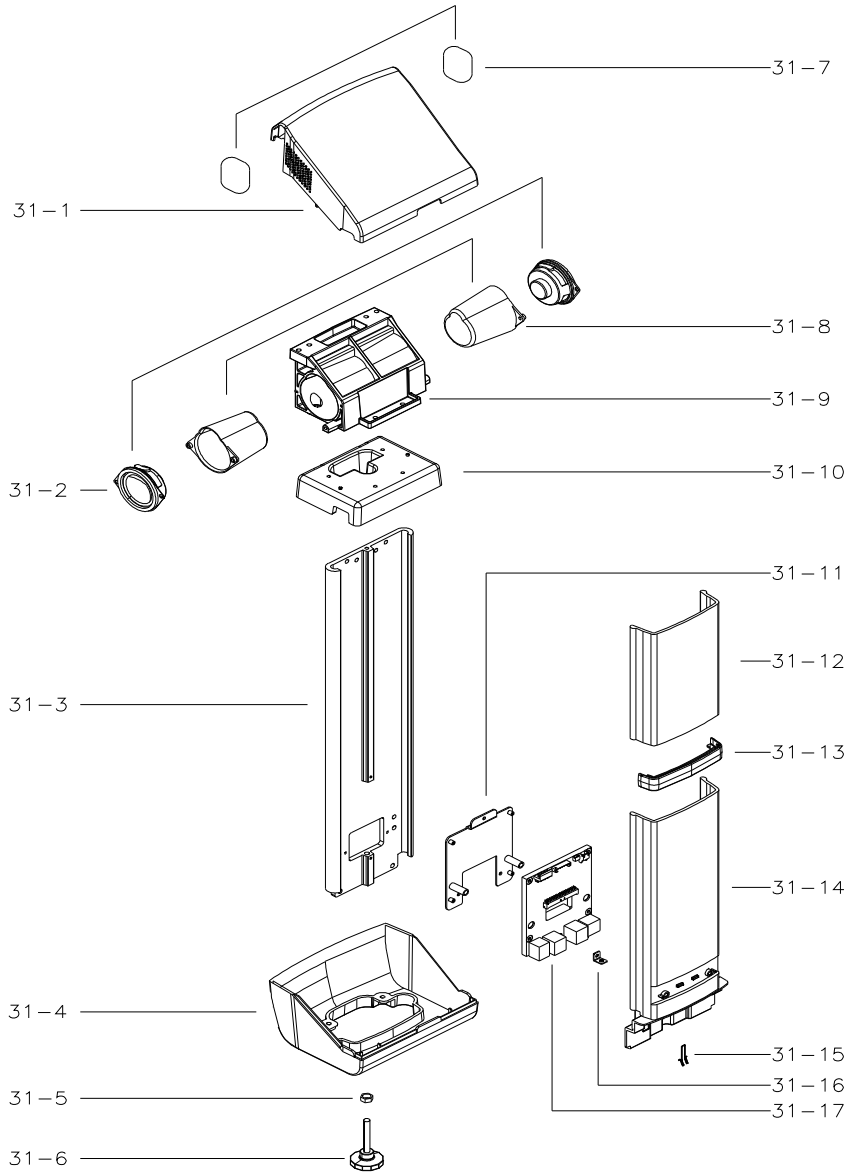
**30. SSP 19IN OPERATOR DISPLAY BLOCK**



**SUB ASSEMBLY BLOCK**

**31. SSP & EV POLE BLOCK**

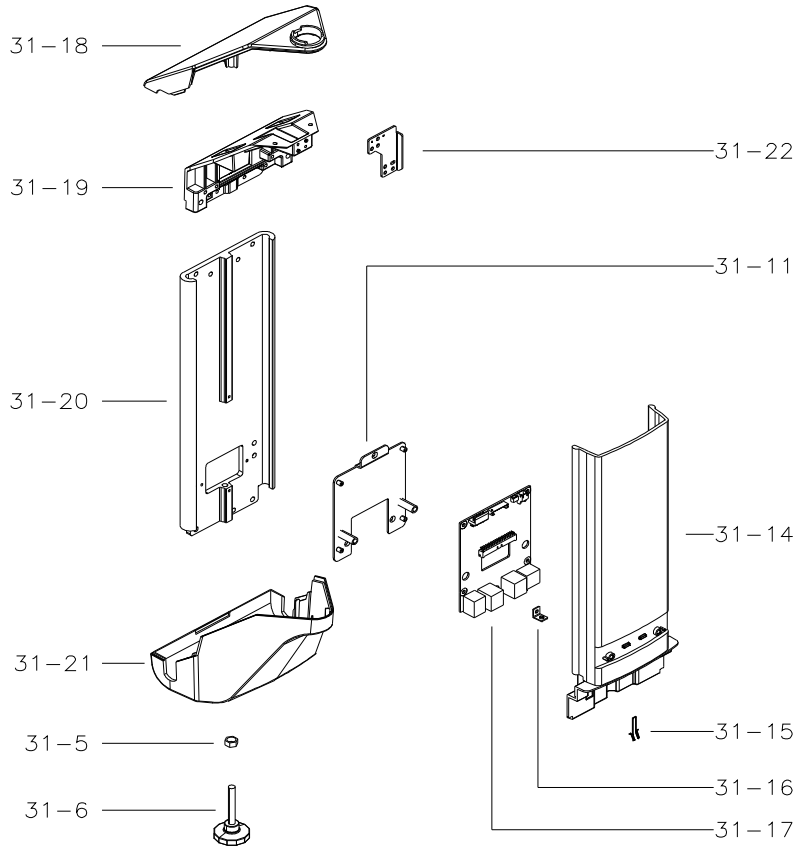
**SSP POLE BLOCK**



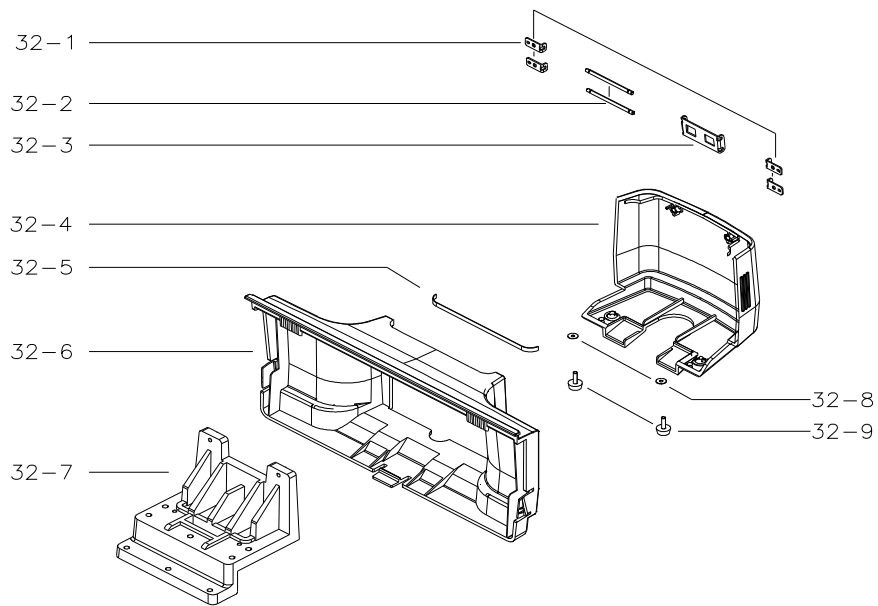


**SUB ASSEMBLY BLOCK**

**EV POLE BLOCK**



**32. SSP & EV POLE HOLDER BLOCK**



**ACCESSORIES DIAGRAM**

SCREW		
<p>ALLEN CAP / HEX SOCKET</p>	<p>ALLEN SET</p>	<p>BINDING HEAD</p>
<p>FLANGED PAN PAN S TIET</p>	<p>PAN HEAD / TRUSS HEAD</p>	<p>FLAT HEAD</p>
<p>SEMS A</p>	<p>SEMS B</p>	<p>P-P MACH</p>

NUT	WASHER	E-CLIP

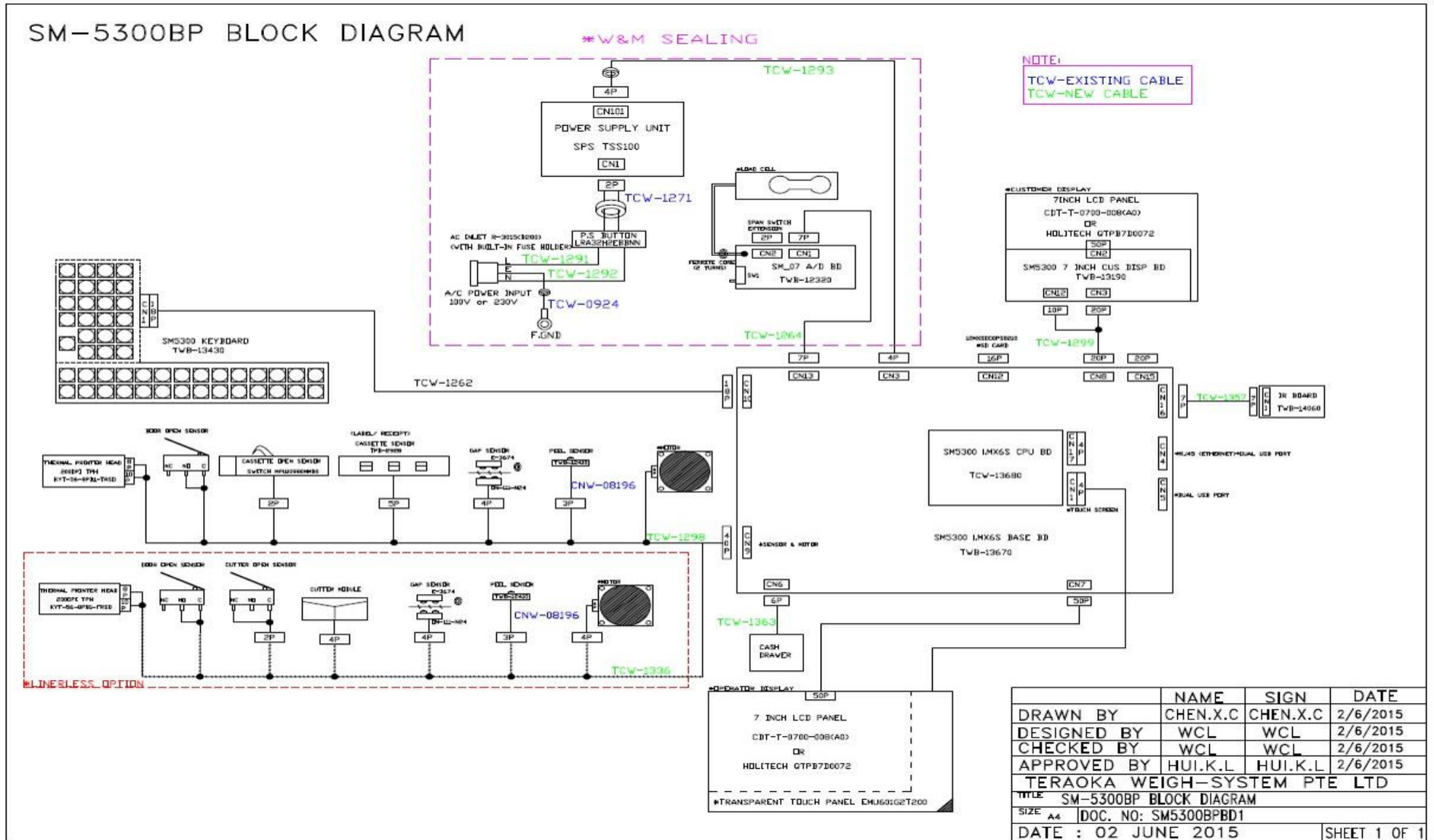
**Definition**

Screw	MØ X H
Nut	MØ
Washer	WØ or MØ
E-Clip	ETW-Ø

**Material**

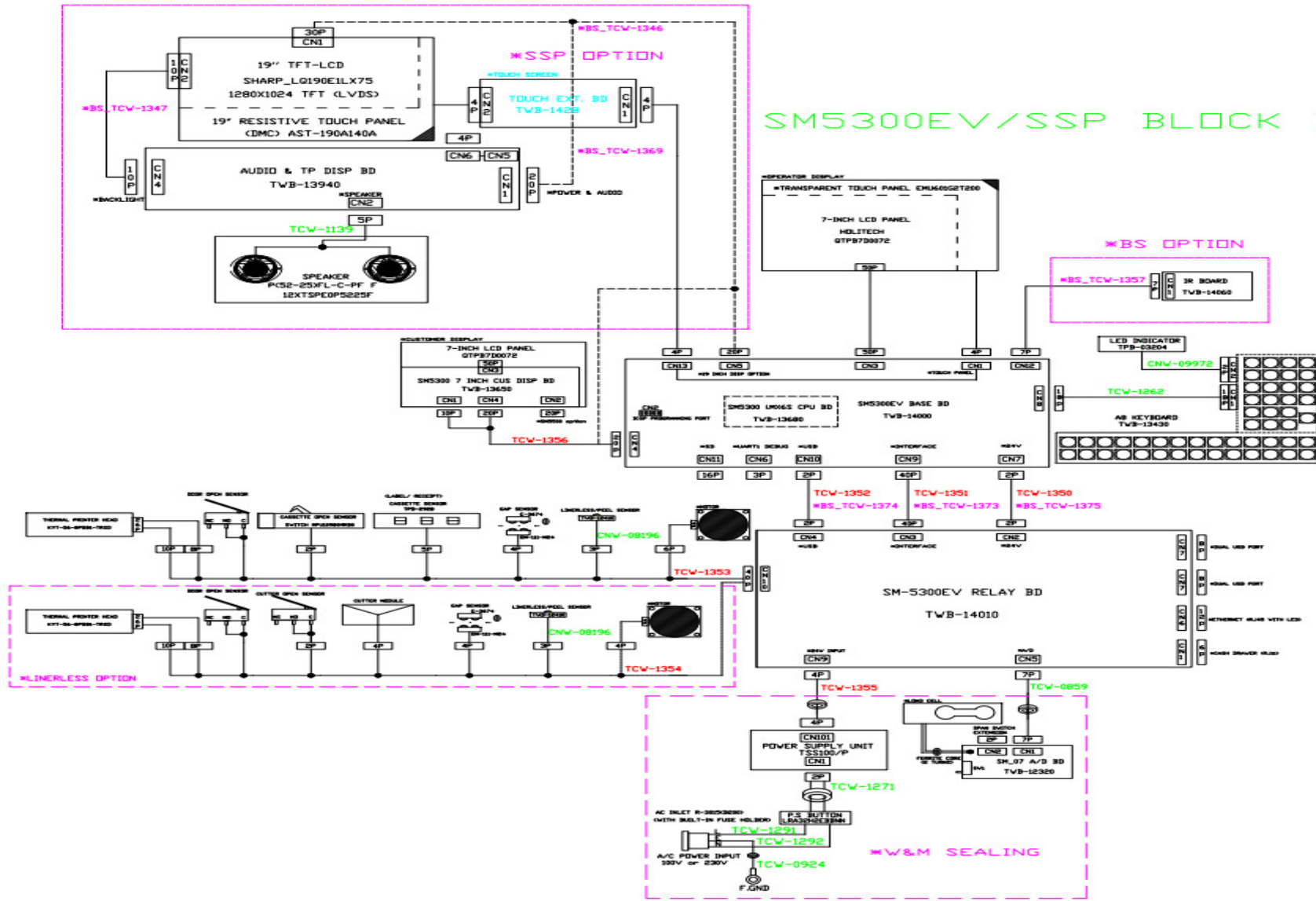
Black	Black
CR	White Silver
N-C	Nickel Chrome
R-P	Rainbow Plated (Yellow Zinc)
SUS	Stainless Steel

**BLOCK DIAGRAM**



BLOCK DIAGRAM

SM5300EV/SSP BLOCK DIAGRAM



## MAIN ASSEMBLY PART LISTING

Key No.	Part Code	Part Name	Part Description	Location	Unit Price (USD)
1	44017060103200	PLATTER SUPPORT BLOCK	BLK(ASSY PLATTER SM5300 FOR SVC)	Refer to Sub-Assy Blk	
3		PLATTER BLOCK		Refer to Sub-Assy Blk	
4		TOP COVER BLOCK		Refer to Sub-Assy Blk	
5	12PNPWU0TSS100	SPS TSS100	Power Supply Unit		
6	44015001300200	AXIS AB(CAMERA M3X7.4 F/F)			
7	44017001802502	BRACKET AY(55 PRT BASE SUPPORT)			
8		MAIN FRAME BLOCK		Refer to Sub-Assy Blk	
9		SM-5300 STD PRINTER BLOCK		Refer to Sub-Assy Blk	
10	32H50A00040LBS	HINGE HANAYA 40LBS			
11	44017001800602	BRACKET AF(COVER HINGE)			
12		FRONT PRINTER COVER BLOCK		Refer to Sub-Assy Blk	
13		7" OPERATOR DISPLAY BLOCK		Refer to Sub-Assy Blk	
14	44002808803700	SUPPORT BK(SCALE B)			
15	44017060102200	BLK(SM5300 15KG NMB LOADCELL)	NMB Loadcell 6 KG	Refer to Sub-Assy Blk	
	44017060102200	BLK(SM5300 15KG NMB LOADCELL)	NMB Loadcell 15 KG		
	44017060102600	BLK(SM5300 30KG NMB LOADCELL)	NMB Loadcell 30 KG		
16		7" CUSTOMER DISPLAY BLOCK		Refer to Sub-Assy Blk	
17	44017004800100	INSULATOR AA(POWER SUPPLY)			
18		AD BLOCK		Refer to Sub-Assy Blk	
19	44017001802402	BRACKET AX(PRT SIDE COVER)			
20	44017002801905	COVER AS(55 PRT R SIDE)			
21	44017008800501	SUPPORT AE(55P LOCK)			
22	44017005600406	LEVER AD(55 PRT DOOR INNER)			
23		CASSETTE SM-5300 STD BLOCK		Refer to Sub-Assy Blk	
24		POLE BLOCK		Refer to Sub-Assy Blk	
25		LL PRINTER BLOCK		Refer to Sub-Assy Blk	
26	44017004700101	HOOK AA(PRINTER)			
27		ROLLER BLOCK		Refer to Sub-Assy Blk	
28	44017060103660	AUTO CUTTER BLOCK		Refer to Sub-Assy Blk	
29	44017060103650	OIL TANK BLOCK		Refer to Sub-Assy Blk	
30		SSP 19IN OPERATOR DISPLAY BLOCK		Refer to Sub-Assy Blk	
31		SSP & EV POLE BLOCK		Refer to Sub-Assy Blk	
32		SSP & EV POLE HOLDER BLOCK		Refer to Sub-Assy Blk	

## SUB ASSEMBLY PART LISTING

Key No.	Part Code	Part Name	Part Description	Location	Unit Price (USD)
<b>1</b>	<b>44017060103200</b>	<b>PLATTER SUPPORT BLOCK</b>	<b>BLK(ASSY PLATTER SM5300 FOR SVC)</b>		
1-1	44017007000102	*PLATTER AA(SM-5300)	Item 1-1 & item 1-2 must be assembled before delivery to customer		
1-2	44017008200103	*SPACER AA(PLAT RUBBER)			
<b>3</b>		<b>PLATTER BLOCK</b>			
3-1	30N00000004000	*NUT M-4			
3-2	303E0304001205	*ALLEN SET(BLACK)M4X12			
3-3	44017008800105	*SUPPORT AA(PLATTER SUPPORT)			
3-4	44017008200500	*SPACER AE(LOADCELL 4MMT)	For Capacity 30KG		
<b>4</b>		<b>TOP COVER BLOCK</b>			
4-1	44017002801704	*COVER AQ(MAIN TOP W 55 PRT)	For SM5300 STD		
	44017002800105	*COVER AA(MAIN TOP)	For SM5300 LL		
4-2	44014402801701	*COVER AQ(LEVEL 46)			
<b>8</b>		<b>MAIN FRAME BLOCK</b>			
8-1	44017003400202	*FILTER AB(NAMEPLATE PC COVER)			
8-2		*NAME PLATE	Variant List		
8-3	12SCACS0LRA32H	*DUAL-POLE AC SWITCH LRA32H2EBBNN			
8-4	14HXACI00R3015	*AC INLET R-3015(B200)			
8-5	44017001400105	*BASE AA(DIECAST MAIN)	For Pole & Bench		
	44017050001000	*ASSY AJ(DIECAST EV BS)	For EV & SSP		
8-6	44017001803401	*BRACKET BH(POWER CORD)			
8-7	44015506300104	*NUT AA(M8-SI)			
8-8	44017001800301	*BRACKET AC(STOPPER)			
8-9	30Z900F14CR000	*(EBISU)LEVEL F14CR*			
8-10	44017001803203	*BRACKET BF(LEVEL WELDED)			
8-11	44017002800602	*COVER AF(SEAL)			
8-12	41718301300101	*AXIS AA(SEALING)			
8-13	44015505300202	*LEG AB(SM56-B34)			
8-14	30H10460000306	*YURIYA SCREW 3X6(YELLOW ZINC)			
8-15	44016708200600	*SPACER AF(SM5500 ESD SPACER)			

## SUB ASSEMBLY PART LISTING

9

## SM-5300 STD PRINTER BLOCK

9-1	44016301802302	*BRACKET AW(HEAD 70C)		
9-2	44015508800903	*SUPPORT AI(SM1C-12)		
9-3	12K6STM023KMK4	*STEPPER MOTOR 23KM-K044BP01CA	Motor & Damper	
9-4	44015507600101	*ROLLER AA(SM1C-19)		
9-5	12K6STM023KMK4	*STEPPER MOTOR 23KM-K044BP01CA	Motor & Damper	
9-6	44017001803302	*BRACKET BG(MOTOR W DAMPER)		
9-7	12SHUSW0ZM10E8	*HONEYWELL MICRO SWITCH QM10E80B01		
9-8	44017008800801	*SUPPORT AH(55 PRT AXIS)		
9-9	44017050000201	*ASSY AB(PM72 HOUSING)		
9-10	44015502802701	*COVER BA(ROHS PRN_BELT)		
9-11	44015508802001	*SUPPORT AT(SM1C-50)		
9-12	44015508803703	*SUPPORT BK(PRN_UNDER_MID)		
9-13	44015508801002	*SUPPORT AJ(SM1C-13)		
9-14	30S001C2260000	*(KAT0)SPRING C-226		
9-15	44014401300900	*AXIS AI(LOCK,ARM)		
9-16	44014402100102	*CAM AA(PC,LOCK)		
9-17	44014401302100	*AXIS AU(P-C,LOCK)		
9-18	44015001801400	*BRACKET AN(LABEL SENSOR BKT)		
9-19	44015508801604	*SUPPORT AP(SM1C-33-2)		
9-20	10EAPTS00E3674	*PRISM E-3674		
9-21	44015508801302	*SUPPORT AM(SM1C-30)		
9-22	10EAPTS0111N24	*PHOTO SENSOR ON-111-N24		
9-23	10SXMSW0P59900	*SW P599-00		
9-24	44015508801504	*SUPPORT AO(SM1C-32-2)		
9-25	44014490300200	*CAS SENSOR BD AA(TPB-2928)		
9-26	44015508801102	*SUPPORT AK(SM1C-14)		
9-27	44015508801400	*SUPPORT AN(SM1C-31-2)		
9-28	44014403800304	*GEAR AC(MOT.Z32)		
9-29	44014401301401	*AXIS AN(MV PULLEY)		
9-30	30J0S114304031	*(M)TIMING BELT B40		
9-31	44015508801900	*SUPPORT AS(SM1C-74)		
9-32	44014401301200	*AXIS AL(HEAD ROL)		
9-33	44014401800802	*BRACKET AH(46.HEAD.P)		
9-34	44014407600200	*ROLLER AB(46,HEAD,UP)		
9-35	44015508200700	*SPACER AG(SM1C-75)		

## SUB ASSEMBLY PART LISTING

9-36	12LLTHD0KYT56D	*THERMAL HEAD KYT-56-8PBB1-TRSD			
9-37	44017008200401	*SPACER AD(PM72 PEEL SPACER)			
9-38	44017050000400	*ASSY AD(PM72 LABEL BKT)			
9-39	44017001300801	*AXIS AH(PM72 LABEL SHAFT2)			
9-40	44015501300301	*AXIS AC(SM1C-40-7M)			
9-41	30S001C2080000	*(KATO)SPRING C-208			
9-42	44017002802302	*COVER AW(PM72 THERMAL HEAD)			
9-43	44014401301102	*AXIS AK(HEAD SUP)			
9-44	46000207613600	*ROLLER FF(TM-9)			
9-45	44017001300701	*AXIS AG(PM72 LABEL SHAFT1)			
9-46	44017001300100	*AXIS AA(PM72 HINGE SHAFT)			

**12 FRONT PRINTER COVER BLOCK**

12-1	44017002801805	*COVER AR(55 PRT W HINGE)	For Bench & Pole STD		
	44017002804301	*COVER BQ(55 PRINTER FRT NO HINGE)	For EV & SSP STD		
12-2	44017005600303	*LEVER AC(55 PRT DOOR OUTER)			
12-3	44016790303800	*SM5500 IF BLK BL(PEEL SENSOR)	*TWB-13970-0REV A(LF)SM5500 PEEL SENS BD	Refer to Component Listing	
12-4	44015908800500	*SUPPORT AE(BUTTON)			
12-5	44017008300100	*SPRING AA(PRT DOOR KNOB)			
12-6	44015908800700	*SUPPORT AG(BUTTON)			
12-7	44017002300202	*CASE AB(PM72 PEEL SENSOR)			
12-8	44017003100102	*DISPENSER AA(OIL REFILL)			
12-9	44017003100202	*DISPENSER AB(OIL REFILL COVER)			
12-10	44017002801404	*COVER AN(PRINTER W HINGE)	For Bench & Pole LL		
	44017002804202	*COVER BP(LL FRONT NO HINGE)	For EV & SSP LL		
12-11	44017005600101	*LEVER AA(PRT DOOR OUTER)			
12-12	44017002801602	*COVER AP(OIL TANK)			
12-13	44017003000102	*CUTTER AA(W PEEL)			
12-14	44017908800200	*SUPPORT AB(PEEL)			
12-15	44017001803100	*BRACKET BE(LEVER STOPPER)			
12-16	30S001C1850000	*(KATO)SPRING C-185			
12-17	44017005600201	*LEVER AB(PRT DOOR INNER)			
12-18	44017008700101	*STOPPER AA(OIL DOOR)			



**SUB ASSEMBLY PART LISTING**

**13 7" OPERATOR DISPLAY BLOCK**

13-1	44017002800806	*COVER AH(INTERFACE)		
13-2	44017001804900	*BRACKET BW(SD COV)		
13-3	22CNW000136301	*TCW-1363-01 CASH DRAWER PANEL MOUNT		
13-4	12MSSDC0SDAE08	*SDSDAE-008G SANDISK		
13-5	44017008800306	*SUPPORT AC(OP PCB)		
13-6	12MXLCD0QTPB7D	*7 INCH LCD QTPB7D0072(HOLITECH)		
13-7	44017002300102	*CASE AA(7IN OP-INPANE FRONT W)		
13-8	44017050100304	*PRINTASSY AC(OP W AUTO FLEX EBA)		
13-9	44017001802700	*BRACKET BA(OP DISP LOCK)		
13-10	44017002800709	*COVER AG(OP DISPLAY REAR)		
13-11	44017001804701	*BRACKET BU(OP CASH DRAWER)		
13-12	44017090900300	*E.ASSY(SM5300 BASE & CPU BD W HEATSINK)	<a href="#">TWB-13680-0REV E(LF) &amp; TWB-13670-0 REV G(LF)</a>	<a href="#">Refer to Component Listing</a>
13-13	44017090400100	*SM5300 KEYBOARD	<a href="#">TWB-13430-0 REV C</a>	<a href="#">Refer to Component Listing</a>
13-14	44014490300800	*LED BD AB(TPB-3204)		
13-15	12S0TSP0G2T200	*PANASONIC 7TP EMU601G2T200		
13-16	44017002804400	*COVER BR(SD)		
13-17	44017002803901	*COVER BM(EV OP REAR)		
13-18	44017001804400	*BRACKET BR(EV HINGE)		
13-19	30H50200002711	*(TOCH)FREE STOP HINGE		
13-20	44017001804601	*BRACKET BT(EV HINGE STRENGTHEN)		
13-21	44017090900700	E*.ASSY(BASE&CPU BD W HEATSINK FOR BS&EV)	<a href="#">*TWB-13680-0REV E(LF) &amp; *TWB-14000-0 REV D(LF)</a>	<a href="#">Refer to Component Listing</a>

**15 NMB LOADCELL BLOCK**

15-1	30N00000004000	*NUT M-4		
15-2	303E0304001605	*ALLEN SET(BLACK)M4X16		
15-3	44017008800201	*SUPPORT AB(LOADCELL NMB)		
15-4	12FZFCR0161308	*FERRITE CORE K3T16.00X13.00X8.00		
15-5	303A0106002500	*SUS HEX CAP SCREW M6X25		
15-6	32X01C2G130K58	*LOADCELL(NMB C2G1-30K-S58)	<a href="#">For Capacity 6KG</a>	
	32X01C2G130K58	*LOADCELL(NMB C2G1-30K-S58)	<a href="#">For Capacity 15KG</a>	
	32X01C2G150K58	*LOADCELL(NMB C2G1-50K-S58)	<a href="#">For Capacity 30KG</a>	
15-7	44017001802601	*BRACKET AZ(UPWARD STOPPER)		

## SUB ASSEMBLY PART LISTING

**16 7" CUSTOMER DISPLAY BLOCK**

16-1	44017090300500	IO BLK AE(HOLITECH SM5300&DELIOUS PICO)	*TWB-13190-0 REV J(LF)	Refer to Component Listing	
16-2	44017001800503	*BRACKET AE(BENCH PCB)			
16-3	12MXLCD0QTPB7D	*7 INCH LCD QTPB7D0072(HOLITECH)			
16-4	44017002801102	*COVER AK(BENCH CUS INNER)			
16-5	44017008600100	*STICKER AA(7IN CUST,L-STICK)			
16-6		*CAPACITY LIMIT STICKER	Refer to Variant List		
16-7	44017002801002	*COVER AJ(BENCH CUS OUTER)			
16-8	44016701809600	*BRACKET DR(7 INCH LCD-HOLDER BKT)			
16-9	44017008600200	*STICKER AB(7IN CUST,R-STICK)			
16-10	44017002800304	*COVER AC(POLE CUS FRONT)			
16-11	44017003400100	*FILTER AA(POLE CUS DISPLAY)			
16-12	44017002800205	*COVER AB(POLE CUS REAR)			
16-13	44017002804600	*COVER BT(PICO CUS R GY010)			
16-14	44017002804500	*COVER BS(PICO CUS F GY010)			
16-15	44017003400400	*FILTER AD(EV CUS DISPLAY)			

**18 AD BLOCK**

18-1	44017001800201	*BRACKET AB(AD)			
18-2	44017004800200	*INSULATOR AB(AD PCB BD)	For Japan Country		
18-3	44016790300400	*SM5500 I/F BLK AD(SM_07 AD)	TWB-12320-1 REV C	Refer to Component Listing	
18-4	44016704000202	*GROMMET AB(2.5MM)			
18-5	44016704000102	*GROMMET AA(5MM)			

## SUB ASSEMBLY PART LISTING

23	44017060100700	CASSETTE SM-5300 STD BLOCK			
23-1	44014408804302	*SUPPORT BQ(WIND TOP)			
23-2	30P01020651310	*WASHER PW-6.5 X 13 X 1(SUS)			
23-3	30K108OTLC610B	*(ORIGIN)T-LIMITTER OTLC6-1000B			
23-4	44017001300401	*AXIS AD(CAS WIND SP-HI)			
23-5	30R22000020010	*SPRING PIN SPP-2X10			
23-6	44017004200101	*GUIDE AA(CAS)			
23-7	32Q12RGFM06084	*FLANGE BUSH GFM0608-04			
23-8	44017001808600	*BRACKET DH(PEEL BAR)			
23-9	44014450000103	*ASSY AA(PLATE 46)			
23-10	44014407200103	*PULLY AA(PLATEN.20)			
23-11	44014401300800	*AXIS AH(CAS GUIDE)			
23-12	44014407200300	*PULLEY AC(TENSION-CA)			
23-13	30JOS114304031	*(M)TIMING BELT B40			
23-14	44015508803600	*SUPPORT BJ(CAS.DISPENSE.80)			
23-15	30Q12380F04030	*FLANGE BUSH 80F 0403			
23-16	44014401300702	*AXIS AG(WIND WING)			
23-17	44014401303101	*AXIS BE(WIND SP-HI)			
23-18	44014401300101	*AXIS AA(LABEL.SET)			
23-19	44017008000100	Sheet AA (Set-Cas)			
23-20	10EAPTS00E3674	*PRISM E-3674			
23-21	30H10460000306	*YURIYA SCREW 3X6(YELLOW ZINC)			
23-22	44017001400301	*BASE AC(CAS 5300)			
23-23	44014407600100	*ROLLER AA(CAS,LOCK)			
23-24	44017001300201	*AXIS AB(CAS CORE)			
23-25	44014403800202	*GEAR AB(CAS,Z60)			
23-26	32K008612GXZOR	*(ORIGIN)CLUTCH OWC0612GXZ-R			
23-27	44015503800501	*GEAR AE(CAS.WIND)			
23-28	44017050000300	*ASSY AC(TENSION-CAS)			
23-29	44017001802800	*BRACKET BB(ESD CAS)			
23-30	44017002802202	COVER AV(CAS UNDER)			

## SUB ASSEMBLY PART LISTING

**24 POLE BLOCK**

24-1	44017001800101	*BRACKET AA(POLE TO DIECAST)			
24-2	44017002800405	*COVER AD(POLE CUS BOTTOM B)			
24-3	44017008800701	*SUPPORT AG(POLE TIGHTEN)			
24-4	44017001801201	*BRACKET AL(POLE TO CUS DISP)			
24-5	44017006800302	*PIPE AC(POLE W LINE)			
24-6	44017002800505	*COVER AE(POLE BOTTOM S)			

**25 LL PRINTER BLOCK**

25-1	44016304700101	*HOOK AA(BASE UP)			
25-2	44017908200202	*SPACER AB(UND-PRN)			
25-3	44017909000100	*TAPE AA(BOTTOM SPACER)			
25-4	44017908200100	*SPACER AA(STOPPER)			
25-5	44017001300601	*AXIS AF(LL HINGE)			
25-6	44017008801000	*SUPPORT AJ(LL PRT AXIS)			
25-7	44017905600405	*LEVER AD(HEAD LOCKSEN)			
25-8	44017908000901	*SHEET AI(ICP 81X10)			
25-9	40400700210240	*ROLLER(B)			
25-10	30Q1440BF04036	*(NTN)FLANGE BUSH B-F4-36			
25-11	30Q1440BS41040	*(NTN)SLEEVE BUSH B-S4-1040			
25-12	30Q1440BF41079	*(NTN)BEAR PHITE B-F4-1079			
25-13	44017907600401	*ROLLER AD(LL PLATEN SUB SH)			
25-14	44017908200300	*SPACER AC(SUBROLLER-CL)			
25-15	30K008307GXZ0L	*(ORIGIN)CLUTCH OWC 307GXZ-L			
25-16	44017903800501	*GEAR AE(G21 SUB)			
25-17	44017903800400	*GEAR AD(Z21 PLATEN)			
25-18	30S101E6300000	*(KATO)SPRING E-630			
25-19	44016309300100	*WASHER AA(LOCK)			
25-20	44016301300400	*AXIS AD(LOCK)			
25-21	44016701815701	*BRACKET GA(LL SENSOR BKT)			

## SUB ASSEMBLY PART LISTING

25-22	44017908300100	*SPRING AA(CUT-LOCK)			
25-23	12SXUSWDMDM03P	*MICRO SWITCH DM-DM 03 P			
25-24	44017902600100	*COLLAR AA(CUT-LOCK)			
25-25	44017905600502	*LEVER AE(CUT-LOCK)			
25-26	12KSSTM5930472	*STEPPING MOTOR STP-59D3047-02GA			
25-27	30L40BSPM47068	*(SWCC)DAMPER SPM-47-68*			
25-29	44016350000202	*ASSY AB(PRT BASE)			
25-30	44016304700202	*HOOK AB(BASE MIR)			
25-31	44017903800200	*GEAR AB(G32)			
25-32	44017903800300	*GEAR AC(G48)			
25-33	44016303800100	*GEAR AA(MAIN)			
25-34	44017902800401	*COVER AD(PRN BOTTOM)			
25-35	44017903100105	*DISPENSER AA(LL C1)			
25-36	44017908800302	*SUPPORT AC(PRN_BASE)			
25-37	44017901300400	*AXIS AD(ROLLER)			
25-38	44017907600301	*ROLLER AC(LL PLATEN MAIN SH)			
25-39	44017908200601	*SPACER AF(HD GUIDE)			
25-40	44017906900102	*PLATE AA(ROTATE)			
25-41	44017906900203	*PLATE AB(ROTATE-BASE)			
25-42	44017008600402	*STICKER AD(LL STICKER,EN)			
25-43	44016350000105	*ASSY AA(HEAD BASE)			
25-44	44017901300901	*AXIS AI(HEADLOCK)			
25-45	44017901300301	*AXIS AC(HEAD)			
25-46	44017908800102	*SUPPORT AA(WIRE)			
25-48	44017908000500	*SHEET AE(ICP 70X30)			
25-49	44017907600200	*ROLLER AB(LL SUB)			
25-50	45007408300100	*SPRING AA(LL SUBP SUPPORT)			
25-51	44017902800104	*COVER AA(HEAD V3)			
25-52	10EAPTS0111N24	*PHOTO SENSOR ON-111-N24			
25-53	12LLTHD0KYT56D	*THERMAL HEAD KYT-56-8PBB1-TRSD			
25-54	44017001802900	*BRACKET BC(THERMAL HD LL)			

## SUB ASSEMBLY PART LISTING

25-55	44016301801501	*BRACKET AO(HEAD BACK)			
25-56	44017901300800	*AXIS AH(HEAD CEN)			
25-57	30S001C2180000	*(KATO)SPRING C-218			
25-59	44016301802302	*BRACKET AW(HEAD 70C)			
25-60	30H10460000306	*YURIYA SCREW 3X6(YELLOW ZINC)			
25-61	44016701815900	*BRACKET GC(LL SPRING BKT)			
25-62	44016701816000	*BRACKET GD(LL SPRING HOLDER)			

**27****ROLLER BLOCK**

27-1	44017908200700	*SPACER AG(PEEL-TOP)			
27-2	44017007600100	*ROLLER AA(LL GUIDE-95)			
27-3	46000207613600	*ROLLER FF(TM-9)			
27-4	44017001300500	*AXIS AE(OUT ROLLER)			
27-5	44017001801101	*BRACKET AK(MAGNET POSITION)			
27-6	32H3090000NE40	*RARE EARTH MAGNETS			
27-7	44017001801003	*BRACKET AJ(MAGNET)			
27-8	44017002802405	*COVER AX(LL PRINTER SIDE)			
27-9	44003350000201	*ASSY AB(HINGE)			
27-10	44017001800800	*BRACKET AH(ROLLER)			
27-11	44017002801203	*COVER AL(CUTTER)			
27-12	44017008600402	*STICKER AD(LL STICKER,EN)			
27-13	44017008800402	*SUPPORT AD(LONG PRINTOUT)			

## SUB ASSEMBLY PART LISTING

**28 AUTO CUTTER BLOCK**

28-1	44017905600702	*LEVER AG(CUTTER)		
28-2	30H303MC158000	*(SUGATSUNE)MAGNET CATCH MC-158(S)		
28-3	44016301300501	*AXIS AE(CUTTER-ROT)		
28-4	44017908300201	*SPRING AB(CUT-ROT)		
28-5	44016308800600	*SUPPORT AF(CUT-LOCK)		

**44017060103660 BLK(SM5300 LL AUTO CUTTER\_SCV)**

28-6	44017901800505	*BRACKET AE(CUT-LOCK)		
28-7	30X0500RTB701B	*(OYANE)CUTTER ORC-RTB70-B1		
28-8	44017902800704	*COVER AG(CUTTER)		
28-9	44017008600402	*STICKER AD(LL STICKER,EN)		
28-10	32100002000400	*P-P MACH(R-P)M2X4		
28-11	45001908600400	*STICKER AD(CUTTER PL EXP)		
28-12	35STE000000138	*NITTO LAMINATE SCREW M3X6(CR)		

**29 44017060103650 OIL TANK BLOCK**

29-1	44017902800201	*COVER AB(OILETANK)		
29-2	44017908000102	*SHEET AA(LL OS-56)		
29-3	44017902300201	*CASE AB(OILTANK)		
29-4	30Y09HKF96ADF2	*SILICONE KF-96ADF-1000CS(1KG)	6ml	

**30 SSP 19IN OPERATOR DISPLAY BLOCK**

30-1	44017003400301	*FILTER AC(19IN SHEET)		
30-2	12SDTSP0AST190	*TOUCH PANEL DMC 19IN AST-190A140A		
30-3	44017002300302	*CASE AC(19IN FRONT COVER)		
30-4	44017090300900	SM5300SSP IO BLK AI(INFRARED)		
30-5	44017001804000	*BRACKET BN(19IN CORNER)		
30-6	44017001805502	*BRACKET CC(19IN LCD WELD)		
30-7	44017004800401	*INSULATOR AD(BS PCB)		

## SUB ASSEMBLY PART LISTING

30-8	44017001803803	*BRACKET BL(19IN HINGE MAIN)		
30-9	30H50200002711	*(TOCH)FREE STOP HINGE		
30-10	44017002804700	*COVER BU(BS SD)		
30-11	44017090300800	SM5300 IO BLK AH(TOUCH EXT)	<a href="#">*TWB-14280-0REV A(LF)</a>	<a href="#">Refer to Component Listing</a>
30-12	44017090300700	IO BLK AG(AUDIO TOUCH)	<a href="#">*TWB-13940-0 REV B(LF)</a>	<a href="#">Refer to Component Listing</a>
30-13	44017002300401	*CASE AD(19IN REAR COVER)		
30-14	44017002804900	*COVER BW(SCREW M3)		
30-15	44017002805000	*COVER BX(SCREW M4)		
30-16	12A6LCDLQ190E1	*19IN LCD LQ190E1LX75T SHARP		
30-17	12MSSDC0SDAE08	*SDSDAE-008G SANDISK		

**31 SSP & EV POLE BLOCK**

31-1	44017002300500	*CASE AE(PLUS SPK GY)		
31-2	44016790900700	*ELEC ASSY(SM5500BS SPEAKER)		
31-3	44017006800401	*PIPE AD(BS)		
31-4	44017050000600	*ASSY AF(CUT HINGE BOTTOM)		
31-5	30N01000006001	*HEX NUT TYPE 1(SUS)M6		
31-6	44016705300100	*LEG AA(SM5500 5TH LEG)		
31-7	44017008000200	*SHEET AB(SM5500P PLUS GY)		
31-8	44011102801201	*COVER AL(SPEAKER CONE)		
31-9	44016708800300	*SUPPORT AC(PLUS SPEAKER HOLDER)		
31-10	44017008801402	*SUPPORT AN(BS HINGE)		
31-11	44017001804502	*BRACKET BS(EV RELAY BD)		
31-12	44017050000800	*ASSY AH(PIPE COV CUT)		
31-13	44017002804801	*COVER BV(PIPE COV GAP)		
31-14	44017002803602	*COVER BJ(EV INTERFACE)		
31-15	44017008300200	*SPRING AB(LAN OPEN LATCH)		
31-16	44017001808000	*BRACKET DB(INT COV TIGHTEN)		
31-17	44017090300200	SM5300EV RELAY BD BLK AB	<a href="#">*TWB-14010-0 REV B(LF)</a>	<a href="#">Refer to Component Listing</a>
31-18	44017002803800	*COVER BL(EV HINGE TOP)		
31-19	44017008801101	*SUPPORT AK(EV HINGE)		
31-20	44017006800201	*PIPE AB(EV)		
31-21	44017002803700	*COVER BK(EV HINGE BOTTOM)		
31-22	44017001804300	*BRACKET BQ(EV CUS DISP LINK)		



## SUB ASSEMBLY PART LISTING

**32****SSP & EV POLE HOLDER BLOCK**

32-1	44017001805300	*BRACKET CA(EV BS HINGE S)			
32-2	44017001301000	*AXIS AJ(EV BS HINGE)			
32-3	44017001805400	*BRACKET CB(EV BS HINGE C)			
32-4	44017002804002	*COVER BN(EV INTERFACE SLIDE)			
32-5	44017009000101	*TAPE AA(EV BS IP SEAL)			
32-6	44017002803402	*COVER BH(EV BOTTOM B)			
32-7	44017008801302	*SUPPORT AM(EV RIGHT ANGLE)			
32-8	44017004800500	*INSULATOR AE(SCREW RETAINER)			
32-9	30H10460000306	*YURIYA SCREW 3X6(YELLOW ZINC)			

**COMPONENT LISTING**

Key No.	Part Code	Part Name	Part Description	Location	Unit Price (USD)
<b>12-3</b>	<b>44016790303800</b>	<b>SM5500 IF BLK BL(PEEL SENSOR)</b>			
	12E6PTSGP2S700	*GP2S700HCP		U1	
	12RET2AF1C5R10	*C.RES 0603 RK73H1JT5R10F		R1	
	22TWB10139700A	*TWB-13970-0REV A(LF)SM5500 PEEL SENS BD		RDH4808P	
	20CNW000819600	*WIRE CNW-08196-00			
	10YASMT000F020	*SUMITUBE F32 (BLACK 2 X 0.2)		CUT TO 5.5CM	
<b>13-12</b>	<b>44017090900300</b>	<b>E.ASSY(SM5300 BASE &amp; CPU BD W HEATSINK)</b>		For Bench & Pole	
	12LBRDT0AZH002	*AZ-HEATSINK-002-1			
	32X870GBOND992	*GLOBALBOND 992-300ML			
	44017090900200	*E.ASSY(SM5300 BASE BD & I.MX6S CPU)			
<b>13-13</b>	<b>44017090400100</b>	<b>SM5300 KEYBOARD</b>			
	12HJFPC05018MR	*JASFPC050-18MR-VA-2.1		CN1	
	12HNRIS0S03BZR	*CONN S3B-ZR-SM4A-TF(LF)(SN)		CN2	
	12S9KSW03F4000	*KEY SW B3F-4000		SW1,SW2,SW3,SW4,SW5,SW6,SW7,SW8,SW9,SW10,SW11,SW12,SW13,SW14,SW15,SW16,SW17,SW18,SW19,SW20,SW21,SW22,SW23,SW24,SW25,SW26,SW27,SW28,SW29,SW30,SW31,SW32,SW33,SW34,SW35,SW36,SW37,SW38,SW39,SW40,SW41,SW42,SW43,SW44,SW45,SW46,SW47,SW48,SW49,SW50,SW51	
	22TWB00134300C	*TWB-13430-0 REV C(LF)SM5300 KEYBOARD		TWS14001PNL	

**COMPONENT LISTING**

**E.ASSY(BASE&CPU BD W HEATSINK FOR BS&EV)**

**13-21 44017090900700** For SSP & EV

44017090900600	E.A(5300 BASE BD & I.MX6S CPU FOR BS&EV)	TWB-13680-0REV E(LF) & *TWB-14000-0 REV D(LF)	
32X870GBOND992	*GLOBALBOND 992-300ML		
12LBRDT0AZH002	*AZ-HEATSINK-002-1		

**IO BLK AE(HOLITECH SM5300&DELIOUS PICO)**

**16-1 44017090300500**

12HNSMS0SM10BS	*CONN SM10B-SRSS-TB(LF)(SN)		CN1
12HRSFB1FH5250	*HIROSE FH52-50S-0.5SH BOTTOM CONTACT		CN3
12HKRIS0SS20RG	*AZWBC33S-S20RG		CN4
12CMD1HC0JM270	*CAP 0402 GRM1555C1H270JZ01D		C12
12CMD1HH0KM102	*CAP 0402 GRM155R71H102KA01D		C55,C58
12CMK1HA0J8472	*CHIP CAP GRM2165C1H472JA01D		C62,C63,C73,C74
12CMD1HH0KM103	*CAP 0402 GRM155R71E103KA01D		C54,C57,C64,C65,C66,C67,C76,C77,C78,C79
12CMD1CB0KM104	*CAP 0402 GRM155B31C104KA87D		C18,C30,C35,C36,C53,C56,C59,C60,C61,C68,C69,C70,C71,C80,C81
12CMD1HB0KC104	*CAP 0603 0.1uF GRM188B31H104KA92D		C3,C5,C9,C10,C13,C21,C25,C26,C29,C33,C41,C43,C44,C45,C46,C47,C48,C49,C50,C51,C82,C83
12CMD1CH0KC105	*CAP 0603 GRM188B31C105KA92D		C14,C27,C31,C34,C37
12CMD1EH0K8105	*CHIP CAP 25V X7R GRM219R71E105KA88D		C23,C24,C28,C32,C38,C42
12CMD1CNOKC475	*CAP GRM219B31C475KE15D		C39,C40
12CMD1HM0ZQ106	*CHIP CAP GRM32DF51H106ZA01L		C4,C20,C52
12CMK0JL0M8226	*CAP 22UF 6.3V 0805 GRM21BR60J226 ME39L		C19,C22,C72
12CXL1VH0MS476	*35CE47AX/KX		C11,C15,C16,C17
12FTCCF01023P2	*TOKO CM CHOKE 985DH-1023=P2		CF1,CF2,CF3,CF4
12DPESD24VS2UT	*DIODE ARRAY ESD PESD24VS2UT		ESD1
12FMFBI018PG12	*C.FERRITE BEAD BLM18PG121SN1D		FB7,FB8,FB9,FB10,FB11,FB12,FB13,FB14,FB15,FB16,FB17,FB18,FB19,FB20

## COMPONENT LISTING

12FEFBI0SGS390	*F.BEAD SGHBF201209S390	FB1,FB3,FB4,FB6
12FXINL0D28101	*INDUCTOR CDRH5D28RNP-100NC	L2
12REX1HF0A51R0	*RES 0402 1% RK73H1ETTP51R0F	R32,R34,R35,R36,R37,R38,R39,R40,R41,R43,R44,R46,R47, R48,R49,R51,R52,R54,R55,R56,R57,R60
12RDN3AF025R11	*RES 2512 1W 5.11 OHM CRCW25125R11FNEG	R30
12REN1JF0A1000	*RES 0402 1% RK73H1ETTP1000F 100PPM	R42,R45,R50,R53
12REN1JF0A4300	*RES 0402 1% RK73H1ETTP4300F 100PPM	R7
12REX1HF0A1001	*RES 0402 1% RK73H1ETTP1001F 100PPM	R22,R31,R59,R61,R65,R85,R2,R62,R58
12REX1JF0C6201	*RES 0603 1% RK73H1JTDD6201F 100PPM	R6,R19
12REX1HF0A7501	*RES 0402 1% RK73H1ETTP7501F 100PPM	R15,R20
12REN1JF0A1002	*RES 0402 1% RK73H1ETTP1002F 100PPM	R16,R17,R26,R29,R63,R64,R66,R67,R14,R72,R73,R7 4,R3,R4,R61,R86
12REX1HF0A2002	*RES 0402 1% RK73H1ETTP2002F 100PPM	R12,R28,R27
12REX1JF0C0223	*RES 0603 1% RK73H1JTDD2202F 100PPM	R25,R24
12REX1HF0A4992	*RES 0402 1% RK73H1ETTP4992F 100PPM	R10
12REX1JF0A0104	*RES 0402 1% RK73H1ETTP1003F 100PPM	R8,R13,R18,R23
12REN2AF0C1003	*CHIP RES 0603 1% RK73H1JTDD1003F 100PPM	R1,R5
12REN2AF0C1004	*RES 0603 RK73H1JTDD1004F 100PPM	R68,R69,R70,R71
12IRDCRL854100	*DC REG ISL85410FRZ-T	U3
12IVREBBA033FP	*IC BA033FP-E2	U4
12ITDCXC6216C0	*ADJ LDO XC6216C201PR-G	U5,U6,U7,U9
12IFREMTTC682E0	*VOLT.DOUBLER INVERTER TC682EOA	U8
12IFLTLFIN1216	*FAIRCHILD LVDS REC FIN1216MTDX	U10
22TWB101319001	*TWB-13190-0 REV I(LF)7 INCH CUS DISP BD	TWS15019P
SHORT POINT	*Jumper Setting	JP1,JP3
12CMD1HG0JC470	*CHIP CAP 47PF ±5%50V GRM1885C1H470JA01D	C75
12RDN2BB080301	*RK73H2ATTD3000D(300OHM)100PPM	R21

## COMPONENT LISTING

	12REN2AF0C3302	*CHIP RES 0603 1% RK73H1JTDD3302F 100PPM		R11	
	12RWX1HF0A4752	*RES 0402 1% WR04X4752FTL 100PPM		R9	
	SHORT POINT	*Jumper Setting		SHORT(1-2) OF JPM1,JPM2,JPM3,JPM4 FOR CDT DISPLAY	
	SHORT POINT	*Jumper Setting		SHORT(2-3) OF JPM1,JPM2,JPM3,JPM4 FOR HOLITECH DISPLAY (DEFAULT SETTING)	
	12HNRIS00S4BZR	*CONN S4B-ZR-SM4A-TF(LF)(SN)		CN5	
	12HKFSB1AZFFC1	*CONN AZFFC11-A04TD2T		CN6	
	12REA1HJ490220	*R.ARR-4 CN1E4KTTD220J		RN1	
	12I4RS80927CNM	*RESET IC S-80927CNMC-G8XT2G		U11	
	12IUHTN4HC1G08	*IC MC74HC1G08DFT1G		U12	
	12IUCMNH1G040	*IC MC74HC1G04DFT1G		U2	
	12T9MFPLML6401	*PMOS-IRLML6401(SOT23)		Q4	
	12TR2SC02412K0	*TRANSISTOR 2SC2412K		Q1,Q2,Q3	

**18-3 44016790300400 SM5500 I/F BLK AD(SM 07 AD)**

	12HNSTS0B7BEH0	*CONNECTOR B7B-EH-A		CN1	
	12HNSTS0BEHA02	*CONNECTOR B2B-EH-A		CN2	
	12HXSTS0S1X06G	*CONN 8-201SS-1X06S1 (EXT2)		CN3	
	12CMD1HA0J8100	*CHIP CAP GRM2165C1H100JZ01D		C3,C22	
	12CMK1HG0KC103	*CHIP CAP GRM188R71H103KA01D		C11,C5,C17,C19	
	12CMD1HB0KC104	*CAP 0603 0.1uF GRM188B31H104KA92D		C1,C2,C4,C6,C7,C14,C18,C23,C25,C26,C9,C28,C15	
	12CMD1EH0KC474	*CHIP CAP GRM188R71E474KA12D		C20	
	12CMD1CH0KC105	*CAP 0603 GRM188B31C105KA92D		C21,C29	
	12C3S1E00M5475	*SMT TANTCAP 4.7uF/25V 293D475X9025B2TE3		C8	
	12RXN2BJ050330	*RES CHIP 1206 1/8W 5% 33 OHM		R8,R9,R11	
	12REN2AJ0C0330	*C.RES 0603 33 OHM 5% 0.1W		R1	
	12REN2AJ0C0101	*C.RES 0603 100 OHM 5% 0.1W		R3	
	12REX2EF050102	*CHIP RES 1206 1K OHM 1% 0.25W		R16,R17	
	12REN2AJ0C0103	*C.RES 0603 10K 5% 0.1W RK73B1JTDD103J		R5,R6,R7,R4	
	12SASDS0MHS221	*SLIDE SWITCH SSAC120100		SW1	
	12ITCML74HC241	*IC SN74HC241PWR(TSSOP)		U1	
	12IUCMNH1G040	*IC MC74HC1G04DFT1G		U2	

**COMPONENT LISTING**

	12IQLNIMIC5205	*MIC5205-5.0YM5TR		U4	
	12ITAD0ADS1232	*TI ADC ADS1232		U5	
	22TWB10123201C	*TWB-12320-1 REV C(LF)SM_07 A/D BD		RDH4887P	
	44016702800403	*COVER AD(COVER AD)			
	12ISEEB93C86W0	*IC M93C86-WMN6TP/S		U3	
	12C8E1AH0J1108	*SMT E_CAP 1000UF/10V(10CE1000AX)		C27	
	12REN2BF051002	*RK73H2ATTD1002F 100PPM		R10,R12,R15	
	12CMT1J0NFM471	*FILTER 0603 NFM18CC471R1C3D		F1,F2,F3,F4,F5,F6,F7,F8,F9,F10,F11	
	12CNSIAH0M9226	*TANT CAP 22uF/10V F931A226MBA(B CASE)		C10	
	12DXESD1608SG2	*ESD SUPPRESSOR 1608SGXA2-TR2		ED1,ED2	
	12CMD1HH0K8102	*CHIP CAP GRM216R71H102KA01D		C12,C16,C24	
	12FMFBI031PG12	*C.FERRITE BEAD BLM31PG121SN1L		FB2,L2	
	12FMFBI031PG33	*C FERRITE BEAD BLM31PG330SN1L		FB1,FB3	
	41904709000101	*TAPE AA(AD TOP)			

**30-11 44017090300800 SM5300 IO BLK AH(TOUCH EXT)**

	12HNRIS00B4BZR	*(Q)B4B-ZR(LF)(SN)		CN1	
	12HKSFB104TDRU	*CONN SOURCEGATE AZFFC14D-04TDRU		CN2	
	12DLESD0PGB101	*TVS PGB1010603MR 0603 15KV		D1,D2,D3,D4	
	12FMFBI0018A22	*C.FERRITE BEAD BLM18AG221SN1D		FB3,FB4,FB5,FB6	
	12FEFBI0SGS390	*F.BEAD SGHBF201209S390		FB1,FB2	
	22TWB10142800A	*TWB-14280-0REV A(LF)SM5300SSP TOUCH EXT		TWS15020P	

**30-12 44017090300700 IO BLK AG(AUDIO\_TOUCH)**

	12HKRIS0SS20RG	*AZWBC33S-S20RG		CN1	
	12HNRIS0SPHK05	*CONN. S5B-PH-K-S		CN2	
	12HNSMS0SM10BS	*CONN SM10B-SRSS-TB(LF)(SN)		CN4	
	12HNRIS00B4BZR	*(Q)B4B-ZR(LF)(SN)		CN5	
	12HKSFB104TDRU	*CONN SOURCEGATE AZFFC14D-04TDRU		CN6	

## COMPONENT LISTING

12CMD2AH0JC120	*CAP CHIP GRM1882C2A120JA01D	C83,C84
12CMD1HD0JM680	*CAP 0402 GRM1555C1H680JA01D	C7,C8
12CMD1HA0JC471	*CHIP CAP GRM1885C1H471JA01D	C10,C11,C33,C34,C39,C47,C59,C62,C63,C65
12CMD1HH0LM472	*CAP 0402 GRM155R71H472KA01J	C9,C12,C19,C29
12CMD1HH0KM103	*CAP 0402 GRM155R71E103KA01D	C67,C71,C75,C77,C78,C87
10CMK1H2FZ5103	*GRM188F51H103ZA01D	C22,C23,C90
12CMD1HH0KC153	*CHIP CAP GRM188B11H153KA01D	C46,C51
12CMD1CB0KM104	*CAP 0402 GRM155B31C104KA87D	C1,C3,C20,C30,C68,C70,C74,C76,C79,C85,C86,C88,C92,C93,C94,C95,C98
12CMD1HB0KC104	*CAP 0603 0.1uF GRM188B31H104KA92D	C6,C15,C24,C36,C37,C38,C40,C41,C42,C44,C49,C50,C54,C56,C57,C58,C60,C66,C82,C91
12CMD1EH0KC474	*CHIP CAP GRM188R71E474KA12D	C32,C35,C43,C48,C53,C61,C64,C97
12CMD1CH0KC105	*CAP 0603 GRM188B31C105KA92D	C31,C96
12CMK1HF0Z5105	*CAP CHIP GRM31MR71H105KA88L	C16,C25
12CMD0JB0K8106	*CAP 0805 GRM21BB30J106KE18L	C69,C72,C73,C80,C81
12CMD1HM0ZQ106	*CHIP CAP GRM32DF51H106ZA01L	C18,C28
12CMK0JL0M8226	*CAP 22UF 6.3V 0805 GRM21BR60J226ME39L	C21
12CXL1VH0MS476	*35CE47AX/KX	C5,C17,C45,C52,C55,C89
12C8E1AH0MS157	*SMT E-CAP 10CE150AX	C2,C4,C27
12CRE1CJ0MS227	*LOW ESR-E-CAP 16TZV 220	C26
12DXSDA0B34000	*SCHOTTKY DIODE B340B-13-F	D1,D2
12DPESD05VS2UT	*DIODE ARRAY ESD PESD5V2S2UT	ESD1
12DPESD03VS2UT	*DIODE ARRAY ESD PESD3V3S2UT	ESD2
12DPESD24VS2UT	*DIODE ARRAY ESD PESD24VS2UT	ESD3
12DPESD05VS5UD	*DIODE ARRAY ESD PESD5V0S5UD	ESD4,ESD5
12FMFBI018PG12	*C.FERRITE BEAD BLM18PG121SN1D	FB1,FB2,L3,L4,FB22
12FMFBI018PG33	*C.FERRITE BEAD BLM18PG330SN1D	FB9,FB10,FB11,FB12
12FEFBI0SGS390	*F.BEAD SGHBF201209S390	FB3,FB4,FB5,FB6,FB17,FB18,FB19,FB20,FB21
12FMFBI031PG12	*C.FERRITE BEAD BLM31PG121SN1L	FB13,FB14,FB7,FB8
12FKINLLKS330M	*INDUCTOR LKS0745TTEG330M	FB15,FB16
12FCINL0HCM8R2	*INDUCTOR HCM0703-8R2-R(8.2uH)	L1,L2
12TXMFPNTR4171	*PMOS SOT23-30V-3.5A NTR4171PT1G	Q3
10TX2SA0CR133W	*TRANSISTOR BCR133W H6327	Q5
12TRNPNC4617TL	*NPN 50V 0.15A SOT416 2SC4617TL	Q1
12RWN1HJ0E0000	*RES 0402 WR04X000 PTL	R40,R41,R64,R65

## COMPONENT LISTING

12REN2AF0C10R0	*CHIP RES 0603 1% RK73H1JTDD10R0F	R20,R26
12REN2AJ0C0220	*C.RES 0603 22 OHM 5% 0.1W	R22,R27
12RWX1HF0A1001	*RES 0402 1% WR04X1001FTL 100PPM	R31,R32,R33,R34,R52,R61
12REN2AF0C2001	*CHIP RES 0603 1% RK73H1JTDD2001F 100PPM	R56
12REN2AF0C4701	*CHIP RES 0603 1% RK73H1JTDD4701F 100PPM	R15,R17,R28,R30
12REN2AF0C6801	*RES 0603 1% RK73H1JTDD6801F 100PPM	R4
12RWN1JF0A1002	*RES 0402 1% WR04X1002FTL 100PPM	R3,R6,R14,R23,R37,R42,R43,R55,R59,R62,R63,R66
12REN2AF0C1002	*CHIP RES 0603 1% 100PPM RK73H1JTDD1002F	R53
12REX2AF0C1202	*RES RK73H1JTDD1202F 100PPM	R54
12REN2AF0C1802	*CHIP RES 0603 1% RK73H1JTDD1802F 100PPM	R57
12REN2AF0C3902	*CHIP RES 0603 1% RK73H1JTDD3902F 100PPM	R24
12RWX1HF0A5362	*RES 0402 1% WR04X5362FTL 100PPM	R1
12RWX1HF0A6982	*RES 0402 1% WR04X6982FTL 100PPM	R7,R8
12REX1JF0A0104	*RES 0402 1% RK73H1ETTP1003F 100PPM	R2
12RWN1JF0A1004	*RES 0402 1% WR04X1004FTL 100PPM	R5,R10,R11,R12,R46
12IVREBBA033FP	*IC BA033FP-E2	U1
12IRDCRL850330	*INTERSIL DC-DC ISL85033IRTZ	U2
12IPAMV8932BTW	*TDA8932BTW/N2,118 CLASS-D AUDIO AMP	U3
12ITSUDWM8731S	*WM8731SEDS/V	U4
12IRLSML330030	*INTERSIL I2C LEVEL ISL33003IUZ	U5
12DCESDNUF2116	*AUDIO EMI-ESD NUF2116MNT1G	U6
12IJLNB NJM555M	*IC NJM555M	U7
12IHTJ74H4245	*IC SN74LVC4245APWR	U8
12I4RS80927CNM	*RESET IC S-80927CNMC-G8XT2G	U9
12IUHTN4HC1G08	*IC MC74HC1G08DFT1G	U10
SHORT POINT	*Jumper Setting	SOLDER JUMPER - JP3(1-2)



## COMPONENT LISTING

	12XNXTL503212M	*CRYSTAL NX5032GB 12MHZ EXS00A		Y1	
	22TWB10139400B	*TWB-13940-0 REV B(LF)AUDIO & TP DISP BD		TWS15003P	

**31-17 44017090300200 SM5300EV RELAY BD BLK AB**

	12HVIFC7250S6P	*CONN 7250S-6P6C-F1(NELTRON)		CN1	
	12HNSTS0BXHA02	*CONNECTOR B2B-XH-A		CN2	
	12HRSMW0DF1340	*CONN DF13-40DP-1.25V(55)		CN3	
	12HNRIS00B2BZR	*B2B-ZR(LF)(SN)		CN4	
	12HNSTS0B7BEH0	*CONNECTOR B7B-EH-A		CN5	
	12HTJAC1734320	*0-1734320-1 RJ45,WIP,Y/G,DIP		CN6	
	12HKUSB178B120	*AZUSB17-8B1202 DUAL USB CONN		CN7,CN8	
	12HNSTS0BXHA04	*CONNECTOR B4B-XH-A		CN9	
	12HJSTW02X20PV	*CONN A2006WV0-2X20P(TOP-ENTRY)		CN10	
	12CMD2AH0JC120	*CAP CHIP GRM1882C2A120JA01D		C77,C78,C82,C83,C88,C89,C93,C94	
	12CMD1HH0JC330	*CAP CHIP GRM1885C1H330JA01D		C57,C58	
	12CMD1HG0JC470	*CHIP CAP 47PF ±5%50V GRM1885C1H470JA01D		C36,C38,C39,C40,C37	
	12CMD1HD0JM680	*CAP 0402 GRM1555C1H680JA01D		C104,C105	
	12CMD1HA0JC471	*CHIP CAP GRM1885C1H471JA01D		C14,C106,C107	
	12CMD1HH0LM472	*CAP 0402 GRM155R71H472KA01J		C74,C75,C80,C85	
	12CMD1HH0K8102	*CHIP CAP GRM216R71H102KA01D		C16,C17	
	12CMK3DG0KD102	*CHIP CAP GR442QR73D102KW01L		C47,C48	
	12CKK1HH0JC682	*CHIP CAP 6.8NF50V+/-10% X7R0603HTTD682K		C44,C45	
	12CMD1HH0KM103	*CAP 0402 GRM155R71E103KA01D		C52,C56,C65,C66,C71,C72,C73	
	12CMD1CB0KM104	*CAP 0402 GRM155B31C104KA87D		C10,C22,C32,C33,C41,C42,C49,C51,C53,C55,C59,C61,C62, C63,C64,C68,C69,C70,C76,C79,C81,C84,C86,C87,C90,C91, C92,C97,C100,C101,C102,C103,C116,C119,C126	
	12CMD1HB0KC104	*CAP 0603 0.1uF GRM188B31H104KA92D		C2,C4,C6,C11,C19,C24,C25,C27,C28,C109,C112	
	12CMD1HH0K8224	*CAP 0805 GRM21BR71H224KA01L		C46	

## COMPONENT LISTING

12CMD1HH0B8474	*0.47uF 0805 50V GRM21BR71H474KA88L		C1,C5,C127
12CMD1CH0KC105	*CAP 0603 GRM188B31C105KA92D		C15,C35,C43,C50,C54
12CMK1HF0Z5105	*CAP CHIP GRM31MR71H105KA88L		C7,C113
12CMD0JB0K8106	*CAP 0805 GRM21BB30J106KE18L		C117,C120
12CMD1HM0ZQ106	*CHIP CAP GRM32DF51H106ZA01L		C3,C9,C18,C20,C23,C114
12CMK0JL0M8226	*CAP 22UF 6.3V 0805 GRM21BR60J226 ME39L		C60,C67,C96,C99,C118,C121
12C3S1E00M5475	*SMT TANTCAP 4.7uF/25V 293D475X9025B2TE3		C26,C29,C31
12CXL1VH0MS476	*35CE47AX/KX		C8,C30,C108
12CRE1CJ0MS227	*LOW ESR-E-CAP 16TZV 220		C95,C98,C122,C123
12CRE1VJ0MS337	*LOW ESR-E-CAP 35TZV 330		C12,C13,C135
12FTCCF985BH07	*985BH-1007=P2		CF1,CF2,CF3,CF4,CF5
12DXSDA0B34000	*SCHOTTKY DIODE B340B-13-F		D1,D6,D7
12DDCCA0S1B13F	*DIODES S1B-13-F		D2,D3,D5
12DVCCA0DL4148	*CHIP DIODE DLL4148		D4
12DCESD0123102	*CM1231-02SO ESD ARRAY SOT23-6		ESD2,ESD3,ESD5,ESD6
12DPESD24VS2UT	*DIODE ARRAY ESD PESD24VS2UT		ESD7
12P2FUS0F07524	*MF-MSMF075/24		F1
12PLFUS018L050	*RESETABLE FUSE 1812L050PR		F2,F3,F4,F5
12FMFBI018PG12	*C.FERRITE BEAD BLM18PG121SN1D		FB1,FB4,FB5,FB6,FB7,FB9,FB18,FB21
12FMFBI018PG33	*C.FERRITE BEAD BLM18PG330SN1D		FB2,FB3,FB10,FB11,FB12,FB13,FB14,FB15,FB16,FB17
12FEFBI011S330	*F.BEAD SGHBF321611S330		FB19,FB20
12FEINL0HI130N	*SGCWF1306HI-130N		L1
12FCINL0HCM8R2	*INDUCTOR HCM0703-8R2-R(8.2uH)		L2,L3
12T9MFP0IRFR53	*POWER MOSFET IRFR5305TRPBF		MF1,MF2
12T9MFPLML6401	*PMOS-IRLML6401(SOT23)		Q4,Q8,Q10,Q11,Q12
10TX2SA0CR133W	*TRANSISTOR BCR133W H6327		Q1,Q2,Q5,Q6,Q7,Q9,Q13,Q14,Q15
12TR2SC02412K0	*TRANSISTOR 2SC2412K		Q3
12RWN1HJ0E0000	*RES 0402 WR04X000 PTL		R8,R9,R18,R19,R32,R38,R44,R64,R67,R102,R103
12REN2BJ080000	*C.RES 0805 0 OHM 5% 0.125W		R106
12RET3AF020R22	*LOW RES.SR73W3ATTER220F(0.22OHM 1W+/-1%		R12,R14

## COMPONENT LISTING

12REN3AF021R00	*RES CHIP(1 OHM,1WATT,1%)SL1TBK-F	R1
12RON2BJ080100	*RES CHIP 0805 1/8W 10 OHM	R49
12RWX1HF0A49R9	*RES 0402 1% WR04X49R9FTL 100PPM	R45,R46,R47,R48
12REN2AJ0C0750	*C.RES 0603 75 OHM 1% 0.1W	R52,R53,R56,R57
12REX2BF081000	*CHIP RES 0805 1/8W 1% 100 OHM	R104,R105
12REX1JF0C2000	*RES 0603 1% RK73H1JTDD2000F 100PPM	R54,R55
12RWX1HF0A1001	*RES 0402 1% WR04X1001FTL 100PPM	R35,R37,R79,R84,R88,R90
12RWX1HF0A3001	*RES 0402 1% WR04X3001FTL 100PPM	R20,R21
12REX1HF0A3301	*RES 0402 1% RK73H1ETTP3301F 100PPM	R13
12RWX1HF0A4701	*RES 0402 1% WR04X4701FTL 100PPM	R11
12REX1HJ0A6801	*RES 0402 1% RK73H1ETTP6801F 100PPM	R15,R16
12RWX1HF0A8061	*RES 0402 1% WR04X8061FTL 100PPM	R95
12RWN1JF0A1002	*RES 0402 1% WR04X1002FTL 100PPM	R2,R3,R4,R7,R17,R22,R23,R27,R29,R33,R36,R39,R40,R41, R42,R43,R59,R60,R63,R66,R78,R80,R83,R85,R86,R87,R89, R91,R94,R96,R101,R107,R108,R109, R112,R114,R115,R116,R117,R118
12REX2AF0C1202	*RES RK73H1JTDD1202F 100PPM	R61
12REX2AF0C1242	*RES RK73H1JTDD1242F 100PPM	R62
12RWX1HF0A1502	*RES 0402 1% WR04X1502FTL 100PPM	R69,R70,R72,R73,R76,R77,R81,R82
12RWX1HF0A2552	*RES 0402 1% WR04X2552FTL 100PPM	R93
12REN1JF0A3002	*RES 0402 1% RK73H1ETTP3002F 100PPM	R113
12RWX1HF0A3902	*RES 0402 1% WR04X3902FTL 100PPM	R24,R25
12REN2AF0C3902	*CHIP RES 0603 1% RK73H1JTDD3902F 100PPM	R111
12RWX1HF0A5362	*RES 0402 1% WR04X5362FTL 100PPM	R92
12RWX1HF0A6982	*RES 0402 1% WR04X6982FTL 100PPM	R98,R99
12REX1JF0A0104	*RES 0402 1% RK73H1ETTP1003F 100PPM	R5,R6
12RWN1JF0A1004	*RES 0402 1% WR04X1004FTL 100PPM	R10,R65,R68,R71,R74,R75
12REA1HJ490103	*R.ARR-4 CN1E4KTTD103J	RP1

## COMPONENT LISTING

	12FHNFL0TS21CH	*LAN MAGNETICS TS21CHF		T2	
	12TXNPN0MJD122	*NPN TRANSISTOR MJD122T4		TR1,TR2	
	12IVDRHBD62320	*IC BD6232HFP		U1	
	12IMLNB0040730	*MAX4073HAXK+T		U2	
	12IVDRBD6389FM	*MOTOR DRIVER IC BD6389FM		U3	
	12IVREBBA15FP0	*REG BA15FP-TO252		U4	
	12IVREBBA09FP0	*IC BA09FP-E2		U5	
	12DPESD05VS5UD	*DIODE ARRAY ESD PESD5V0S5UD		U6,U14,U15	
	12I4RS80945CNM	*RESET IC S-80945CNMC-G9FT2G		U7	
	12IUHTN4HC1G08	*IC MC74HC1G08DFT1G		U8	
	12DOTVS0CM1224	*CM1224-04SO(SOT23-6)		U9,U10,ESD1,ESD4	
	12ITCNRRAN95140	*IC LAN9514-JZX-TR(64-QFN)		U11	
	12IMEEB93LC660	*EEPROM 93LC66C-I/SN		U12	
	12IRDRCRL850330	*INTERSIL DC-DC ISL85033IRTZ		U13	
	12XEXTL0F36525	*CRYSTAL FA-365 25.0000MHZ 22PF +/- 50PPM		Y1	
	22TWB10140100B	*TWB-14010-0 REV B(LF)SM5300EV RELAY BD		TWS15010P	
	12CMD1HN0KM221	*CAP 0402 GRM155B11H221KA01D		C128,C129,C130,C131,C132,C133,C134	
	12CMK1HG0KC103	*CHIP CAP GRM188R71H103KA01D		C124,C125	
	SHORT POINT	*Jumper Setting		JP1(1-2) *DEFAULT FOR LINEAR PRINTER JP2(1-2) *OPTION FOR LINEARLESS PRINTER	

**MISCELLANIOUS**

Key No.	Part Code	Part Name	Part Description	Location	Unit Price (USD)
<b>CONNECTOR WIRE</b>					
	22CNW00009240A	*TCW-0924-0A AC GND WIRE(TR-16-8-13)			
	22CNW000126403	*TCW-1264-03 AD CABLE			
	22CNW000126200	*TCW-1262-00 18-WAY KEYBOARD CABLE			
	22CNW000127101	*TCW-1271-01 AC TO PSU CABLE			
	22CNW000129302	*TCW-1293-02 POWER CABLE			
	22CNW000129100	*TCW-1291-00 AC LIVE TO SWITCH CABLE			
	22CNW000129200	*TCW-1292-00 AC NEUTRAL TO SWITCH CABLE			
	22CNW000129903	*TCW-1299-03 CUSTOMER DISPLAY CABLE			
	22CNW000133605	*TCW-1336-05 PRT CABLE WITH CUTTER(LL)	For LL Printer (Bench & Pole)		
	22CNW000129806	*TCW-1298-06 PRT,TPH & SENSOR CABLE	For STD Printer (Bench & Pole)		
	22EJW000012800	*EJW-0128-00 UL1007 AWG16(30MM)			
	22EJW000012100	*EJW-121-0(REMOTE LCD GND)			
	22EJW000011300	*EARTH WIRE EJW-113(EXTENDED)			
	22CNW000137201	*TCW-1372-01 300DPI PRT CABLE W CUTTER			
	22CNW00008590A	*TCW-0859-0A A/D CABLE			
	22CNW000113903	*TCW-1139-03 EV-SS AUDIO CABLE			
	22CNW000135503	*TCW-1355-03 24V POWER CABLE			
	22CNW000137401	*TCW-1374-01			
	22CNW000137301	*TCW-1373-01 BS_IO CABLE			
	22CNW000137503	*TCW-1375-03 SSP_RELAY TO BASE 24V CABLE			
	22CNW000135701	*TCW-1357-01			

**MISCELLANIOUS**

Key No.	Part Code	Part Name	Part Description	Location	Unit Price (USD)
	22CNW000124700	*TCW-1247-00 NO-PAPER SENSOR CABLE			
	22CNW000134701	*TCW-1347-01 19IN BLIGHT CONT CABLE			
	22CNW000134603	*TCW-1346-03 19IN DISPLAY CABLE			
	22CNW000136900	*TCW-1369-00 TP 4 WIRE EXT CABLE			
	22CNW000135401	*TCW-1354-01 RELAY TO LL PRINTER CABLE	For LL Printer (SSP & EV)		
	22CNW000135602	*TCW-1356-02 EV CUST DISP CABLE			
	22CNW000135201	*TCW-1352-01 USB CABLE			
	22CNW000135105	*TCW-1351-05 I/O CABLE			
	22CNW000135002	*TCW-1350-02 RELAY TO BASE 24V			
	22CNW000135301	*TCW-1353-01 RELAY TO TPH CABLE	For STD Printer (SSP & EV)		

**STICKERS**

	47004408600400	*STICKER AD(FUSE PL EX)			
	STICK500460040	*STICKER AC(250V T2A)			
	STICK401670050	*STICKER(LEVEL ACCURACY)	For Australia Country (Wedderburn)		
	44013508600400	*STICKER AD (700H,SPAN SW)			
	45001908600400	*STICKER AD(CUTTER PL EXP)			
	44017008600500	*STICKER AE(BLADE CAUTION)			
	44014408600101	*STICKER AA(ARROW)			
	44014408600401	*STICKER AD(CAS.LAB-RPT)			
	44014408600300	*STICKER AC(LABEL SET)			
	45001908600100	*STICKER AA(PL HEAT EXP)			
	46003208600701	*STICKER AG(BR-05)			

## MISCELLANIOUS

## SCREWS &amp; NUTS

	321L0604000890	*PT SCREW M4x8 WN1411-KA40-8-TZ(H2)		
	321L0603000690	*PT SCREW M3X6 WN1411-KA30-6-TZ(H2)		
	44017007700100	*SCREW AA(SHOULDER 4MM)		
	30110203000500	*FLAT HEAD(N-C)M3X5		
	30110203000800	*FLAT HEAD(N-C)M3X8		
	32140203000300	*BINDING HEAD(NC)M3 X 3		
	30140203000400	*BINDING HEAD(NC)M3X4		
	30140003000600	*BINDING HEAD(N-C)M3X6		
	30140003001200	*BINDING HEAD(N-C)M3X12		
	30140203001800	*BINDING HEAD(NC) M3X18		
	32140103001000	*BINDING HEAD(SUS)M3X10		
	30130004000800	*TRUSS HEAD(N-C)M4X8		
	30N00000004000	*NUT M-4		
	3010A004000600	*SELF TAPPING S-TIGHT(R-P)M4X6		
	3010B002000500	*SELFTAPPING SCREW(P-TIGHT)M2X5		
	30100002000600	*PAN HEAD 2X6		
	3010A103000400	*PAN S TIET(SUS) M3X4		
	3010A003000600	*PAN S TIET (CHROMAT) M3X6		
	3010A003000800	*PAN S TIET (CHROMAT) M3X8		
	3210A003001200	*PAN S TIET(CHROMAT)M3 X 12		
	3010A004001400	*PAN S TIET (R-P) M4X14		
	30100004000600	*M4*6+PAN HEAD(CHROMAT)		
	303E0304001205	*ALLEN SET(BLACK)M4X12		
	303E0304001605	*ALLEN SET(BLACK)M4X16		
	32103704001000	*SEMS A(CR3+)M4X10		
	30103003000600	*SEMS A(R-P)M3X6		
	30103003000800	*SEMS A(R-P)M3X8		
	30103003001000	*SEMS A(R-P)M3X10		
	30101003000600	*SEMS B(R-P)M3X6		
	30101003001200	*SEMS B(R-P)M3X12		
	30101003002000	*SEMS B(R-P)M3X20		
	30101004000800	*SEMS B(R-P)M4X8		
	30101004001000	*SEMS B (R-P) M4X10		

**MISCELLANIOUS**

30101004001600	*SEMS B(R-P)M4X16		
30101004002500	*SEMS B(R-P)M4 X 25		
30101203000600	*SEMS B(N-C)M3X6		
303A0106002500	*SUS HEX CAP SCREW M6X25		
32P01020003000	*PLAIN WASHER(SUS) M3		
303A1103001200	*HEX CAP SCREW SW+PW M3X12		
35STE000000138	*NITTO LAMINATE SCREW M3X6(CR)		
321L0603000890	*PT SCREW M3X8 WN1411-KA30-8-TZ(H2)		
32WES0000000030	*E CLIP(SUS)ETW-3		
32WES0000000040	*E CLIP(SUS)ETW-4		
32WES0000000050	*E CLIP(SUS)ETW-5		
32100002000400	*P-P MACH(R-P)M2X4		
32100002001000	*P-P MACH(R-P)M2X10		
30101004001400	*SEMS B(R-P)M4X14		
30101004002000	*SEMS B(R-P)M4X20		
303E0303000305	*ALLEN SET(BLACK)M3X3		
32107102501000	*THIN PAN HEAD SCREW SUS M2.5X10		

**OTHER**

0EX00401160020	*SM500 CLEANING TOOL KIT		
30E128SF060000	*SF TUBE SF-6		
40010200015140	*COATING CLIP CS-5 (CLAMP A)		
30C004CS070400	*COATING CLIP CS7		
30C111SKB1M000	*CABLE TIE(08432)4 INCH		
32X9801000G40M	*GREASE G-40M-100G	Grease for LL printer gear	
30R012HAA03002	*BLIND RIVET HAA 3-2		
32Y0803BO1530C	*THREEBOND 1530C ELASTIC ADHESIVE 0.004		
TAPE4700900010	*TAPE-FILAMENT 24MM X 45M		



**REVISION HISTORY**

<b>EDITION</b>	<b>DATE</b>	<b>CHANGE DETAIL</b>	<b>ISSUED</b>	<b>CHECKED</b>	<b>APPROVED</b>
01	26/June/2015	Initial Release	<i>Andi</i>	<i>Mani</i>	<i>Mani</i>
02	15/July/2015	Add PLATTER SUPPORT BLOCK assy No.1, Item no. 13-12 change to 44017090900300 E.ASSY(SM5300 BASE & CPU U HEATSINK)	<i>Andi</i>	<i>Mani</i>	<i>Mani</i>
03	11/Dec/2015	Input SSP, EV (LL & STD) option, update part list	<i>Andi</i>	<i>Mani</i>	<i>Mani</i>