



**Known For Reliability  
Since 1921**

Increase your product yield and make tasty, flavorful, value-added products with the BIRO Model VTS-100 or Model VTS-500 Vacuum Tumblers. Both Tumblers have a 3/4HP vacuum pump motor that can evacuate the drum chamber quickly. The three stage timer on the VTS-500 lets you program relax time into your tumbling cycle for products such as hams or bellies. The Run/jog controls let you position the drum for easy cleaning or unloading. Heavy duty casters let you do your tumbling virtually anywhere in your plant. The drain hole in the drum makes cleanup a snap. Improve your profit margin with value-added products from the BIRO VTS-100 or the VTS-500 Vacuum Marinating Tumblers.



Model VTS-100



*Optional – VTS-100/VTS-500 Quick Access Hinged (water protected) Control Panel Cover – Recommended in water jet wash environments.*

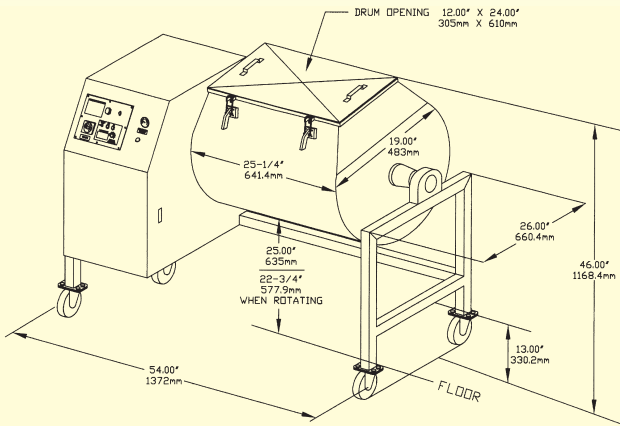


Model VTS-500

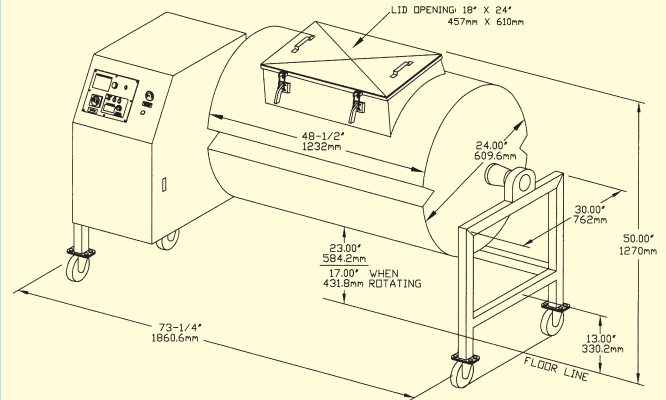
**VTS-100 / 500**



# SPECIFICATIONS



**Model VTS-100**



**Model VTS-500**

MODELS	VTS-100 VACUUM MARINATING TUMBLER	VTS-500 VACUUM MARINATING TUMBLER																																													
ELECTRICAL	3/4 HP, 115 VOLTS, 60 CYCLE, 1 PHASE HAS 8' CORD AND PLUG; 220 VOLTS, 50/60 CYCLE, 1 PHASE HAS 8' CORD NO PLUG.																																														
CONSTRUCTION	STAINLESS STEEL DRUM AND FRAME.																																														
MOTORS	CONTROLS ARE NEMA 4X RATED <table border="1" style="display: inline-table; margin-right: 20px;"> <thead> <tr> <th>MOTOR</th> <th>HP</th> <th>TYPE</th> <th>KW</th> <th>VOLTS</th> <th>AMPS</th> <th>HERTZ</th> <th>PHASE</th> <th>CODE</th> </tr> </thead> <tbody> <tr> <td>DRIVE</td> <td>3/4</td> <td>TEFC</td> <td>.56</td> <td>115/230</td> <td>12/6</td> <td>60</td> <td>1</td> <td>STD</td> </tr> <tr> <td>PUMP</td> <td>3/4</td> <td>OPDP</td> <td>.56</td> <td>115/230</td> <td>12/6</td> <td>60</td> <td>1</td> <td>STD</td> </tr> <tr> <td>DRIVE</td> <td>3/4</td> <td>TEFC</td> <td>.56</td> <td>220</td> <td>7</td> <td>50</td> <td>1</td> <td>EC</td> </tr> <tr> <td>PUMP</td> <td>3/4</td> <td>OPDP</td> <td>.56</td> <td>220</td> <td>7</td> <td>50</td> <td>1</td> <td>EC</td> </tr> </tbody> </table> STD=STANDARD OP=OPTIONAL EC=EXTRA COST TEFC= TOTALLY ENCLOSED FAN COOLED OPDP=OPEN DRIP PROOF		MOTOR	HP	TYPE	KW	VOLTS	AMPS	HERTZ	PHASE	CODE	DRIVE	3/4	TEFC	.56	115/230	12/6	60	1	STD	PUMP	3/4	OPDP	.56	115/230	12/6	60	1	STD	DRIVE	3/4	TEFC	.56	220	7	50	1	EC	PUMP	3/4	OPDP	.56	220	7	50	1	EC
MOTOR	HP	TYPE	KW	VOLTS	AMPS	HERTZ	PHASE	CODE																																							
DRIVE	3/4	TEFC	.56	115/230	12/6	60	1	STD																																							
PUMP	3/4	OPDP	.56	115/230	12/6	60	1	STD																																							
DRIVE	3/4	TEFC	.56	220	7	50	1	EC																																							
PUMP	3/4	OPDP	.56	220	7	50	1	EC																																							
DRUM CAPACITY	100 LBS. (45.4 KG), TUMBLE 100 LBS. (45.4 KG) APPROX.	500 LBS. (227 KG). TUMBLE 440 LBS. (199 KG) APPROX.																																													
DUMP HEIGHT	30" (762 MM), DRUM OPENING AT 9 O' CLOCK POSITION.	24" (609 MM), DRUM OPENING AT 9 O' CLOCK POSITION.																																													
DRIVE MOTOR	3/4 HP (.56 KW), VARIABLE SPEED (0-14 RPM), 60:1 TRANSMISSION, TEFC (TOTALLY ENCLOSED FAN COOLED).																																														
VACUUM PUMP	3/4HP (.56 KW) 60 CYCLE, 1 PHASE.																																														
TIMER	0-50 MINUTE INTERVAL MODE TIMER (DIAL).	99 MINUTE PROGRAMMABLE REPEAT CYCLE (RUN-STOP-RUN)																																													
TUMBLE SPEED	0-14 RPM.																																														
SAFETY STANDARD	PHOTO ELECTRIC EYE FOR SAFETY SHUT DOWN.																																														
STANDARD FEATURES	5" LOCKING SWIVEL CASTERS, DRAIN CAP WRENCH, EXTERNAL MOISTURE TRAP WITH REMOVAL TOOL, INTERNAL IN-LINE FILTER, 3 EXTRA FILTER ELEMENTS, 8' CORD AND PLUG 115V, 8' CORD NO PLUG 220 V, 4 ADJUSTABLE, QUICK RELEASE TOGGLE CLAMPS ON LID, SILICONE LID GASKET, OPERATING AND SAFETY MANUAL.																																														
OPTIONS (EC)	220-50-1 OR 230-60-1, LEG EXTENSIONS, STAINLESS STEEL SWIVEL LOCKING (DELTRIN BEARING) CASTERS WITH STAINLESS STEEL (SWIVEL PLATE) BALL BEARINGS. REVERSE SWITCH MOMENTARY, PROGRAMMABLE REPEAT CYCLE TIMER (RUN-STOP-RUN) WITH TIME INHIBITOR (MEMORY), STAINLESS STEEL CRIMPED FITTINGS ON HOSE, PROTECTIVE ENCLOSURE FOR CONTROL PANEL, 1 HP HEAVY DUTY VACUUM PUMP.	220-50-1 OR 230-60-1, LEG EXTENSIONS, STAINLESS STEEL SWIVEL LOCKING (DELTRIN BEARING) CASTERS WITH STAINLESS STEEL (SWIVEL PLATE) BALL BEARINGS. REVERSE SWITCH MOMENTARY, TIME INHIBITOR (MEMORY), STAINLESS STEEL CRIMPED FITTINGS ON HOSE, PROTECTIVE ENCLOSURE FOR CONTROL PANEL, 1 HP HEAVY DUTY VACUUM PUMP.																																													
CERTIFICATION	N.S.F.	U.L. - N.S.F.																																													
WEIGHT	UNCRATED: 435 LBS. (198 KG) APPROXIMATE. CRATED: 640 LBS. (290 KG) APPROXIMATE.	UNCRATED: 645 LBS. (293 KG) APPROXIMATE. CRATED: 857 LBS. (389 KG) APPROXIMATE.																																													
DIMENSIONS CRATED	L = 71" (1803 MM) X W = 42" (1067 MM) X H = 53" (1346 MM).	L = 96" (2438 MM), X W = 42" (1067 MM), X H = 57" (1448 MM)																																													

**BIRO MANUFACTURING COMPANY**  
**1114 WEST MAIN STREET**  
**MARBLEHEAD, OH 43440-2099 U.S.A.**

**Phone: (419) 798-4451**  
**Fax: (419) 798-9106**  
**http://www.birosaw.com**  
**sales@birosaw.com**

ALL SPECIFICATIONS CONTAINED HEREIN ARE SUBJECT TO CHANGE WITHOUT NOTIFICATION. FORM NO.: Md VTS-100/500-328-06-13-2-ENG-MARK

Service is available from locations worldwide