



Single Chamber Vacuum Sealing Machine

Easy sanitation with mobility

VACUUM-PACKAGING HAS NEVER BEEN SO EASY

MINIPACK vacuum machines are made of Stainless Steel AISI 304 and equipped with an authentic German **BUSCH**® vacuum pump. The volumetric electronic sensor assures a steady control of vacuum and gas packaging with 9 storable programs in a user friendly digital control board.

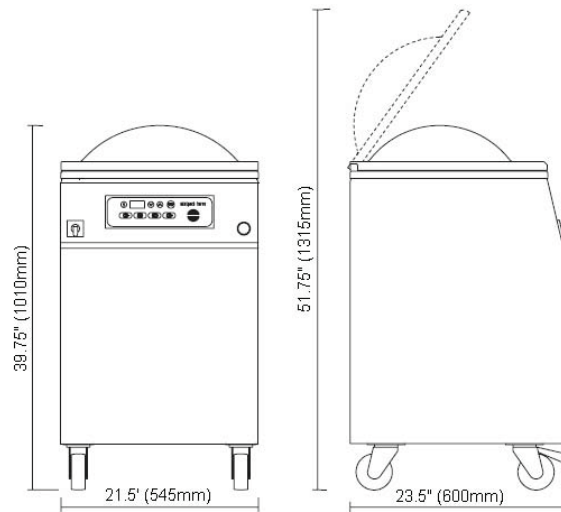


Bulk Packaging

Sous Vide

Single Chamber Vacuum Sealing Machine

Feature	Description	Technical Data	
9 Digital Programs	Nine storable programs for different products liquids, solids, gas, etc.	Seal	2 Seal Bars @ 17.75" (451mm) (Left and Right)
Digital Vacuum Sensor	Measures & compares the programmed vacuum percent for accuracy		2 Seals - 1 Seal @ 4mm & 1 Seal/Cutoff @ 1mm
Moisture Quick Stop	Stops vacuum instantly and seals pouch for liquid products	Chamber	Width 18.5" (470mm)
Pop-Out Seal Bar	Sanitation and Teflon Tape replacement are performed with ease		Length 18" (455mm)
Service Indicator	Digital display will display (OIL) when service is due		Depth 4.75" (120mm)
Extra Vac	Runs the evacuation up to 30/sec longer for porous or soft products		Lid Height 3.75" (95mm)
Volume Plates	FDA/USDA approved volume plates for adjusting to product height		Total Height 8.5" (215mm)
Transparent Lid	Completely transparent bubble lid allows for easy visual operation	Speed	2 - 3 Cycles per/minute
Auto Calibration	Accurate evacuation regardless of the atmospheric conditions		Power
External Evacuation	Channel pouch or containers may be used externally	Pump	
Waffle Design Striker	Resist heat while offering the highest quality in seal strength	Machine	Width 21.5" (545mm)
Soft Air	Controls the air return rate for delicate or sharp products		Length 23.5" (600mm)
Options:			Height 39.75" (1010mm) lid closed
▶ Liquid Tray - Hold pouch at an angle to prevent spillage			Height 51.75" (1315mm) lid open
▶ Gas Kit - 4 Nozzles allow entry of inert gas into pouch.			Working Height 35 (880mm)
▶ Wide Seal - 1 Seal @ 6mm & 1 Seal/Cutoff @ 1mm		Weight 225lbs (102kg)	
▶ Double Seal - 2 Seals @ 4mm each		Ship Weight 275lbs (125kg)	
▶ Evacuation Filter Kit - Prohibits fine particles and moisture from entering pump			
▶ 220 Volt / Single Phase			
▶ Machine Protective Cover Kit			



Electrical
Approved



Sanitation
Approved



CSA
Approved



CE
Certification



HACCP
Assistance
Available

**minipack[®]
america**

Orange, CA USA 92865
Phone: 714.283.4200
Fax: 714.283.4268

www.minipack-america.com