



***Known for
Reliability
Since 1921***

The BIRO MINI-32 Mini Mixer Grinder with Flared Hopper makes it easier than ever to break away from the daily grind. Its 65 lb. capacity accepts full lugs that let you grind only the amounts you need to keep the case full and still keep your grinds as fresh as possible. You can use the same grinder for all of your ground products without having to worry about cross contamination because the MINI-32 is so easy to clean. It's easy to disassemble, and all of the pieces are light so you can just carry all of them to the sink, wash them up, and go on to the next batch. The MINI-32 is ergonomic so the operator doesn't have to lift a lug over their head or bend over to fill a tray. Ease of loading is a benefit with the newly designed flared hopper. The 3HP drive motor gives you the power you need to grind fresh ground meat, sausage, or poultry all day. So break away from the daily grind and keep your ground meat as fresh as possible with the BIRO Model MINI-32.



MINI-32



SPECIFICATIONS

Model: MINI-32 Mixer Grinder (mini automatic feed).

Construction: Stainless steel frame and tub, stainless lid, cast iron hot tin dipped bowl, ring and auger, size 32.

Motors:

HP	KW	TYPE	VOLTS	AMPS	CYCLE	PHASE	STATUS
3	2.2	DP	208-230/460	11-9.6/4.8	60	3	STD
3	2.2	DP	200	12	60	3	EC
3	2.2	DP	208-230	19-17	60	1	EC
3	2.2	DP	230	17	50	1	EC
2-1/2	1.9	DP	380/415	4.4/3.6	50	3	EC

DP=Drip Proof STD=Standard EC=Extra Cost
 NC=No Charge NA=Not Available

Switch: 3 phase, watertight magnetic with thermal overload and under voltage protection.
 1 phase, variable frequency drive (VFD).

Power Cord: 10' 12-4 cord with 4 prong twist lock 250 volt 20A plug, 60 Hz, 3 Ph.
 10' 12-3 cord, 50/60 Hz, 1 Ph, no plug.

Hopper Capacity: Up to 65 lbs. (30 kg).

Grinding Capacity: Up to 60 lbs. (27 kg) per minute.

Drive System: Double reduction gear box, timing-belt/chain.

Safety: Magnetic interlock on tub and lid.

Standard: No inlet (solid tub), removable for easier cleaning, spurt guard, ring wrench, operating and safety manual, grinder stand with locking swivel casters.

Options (EC): Size 32 knives and plates, pneumatic or electric footswitch, stainless steel casters.

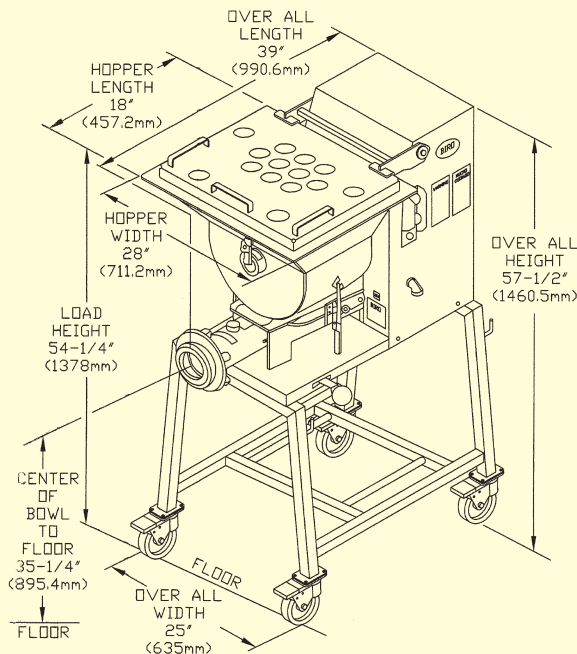
Certification: U.L., N.S.F., on 3 phase only.

Weight: Uncrated 445 lbs. (201.2 kg) with grinder stand approximate.

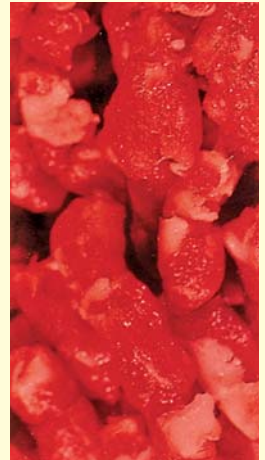
Crated 536 lbs. (243.1 kg) with grinder stand approximate.

Export crated 580 lbs. (263.1 kg) with grinder stand approximate.

Dimensions Crated: L = 48" (122 cm), W = 31" (78.7 cm), H = 60" (152.4 cm).



3/8" (9.0 mm)



1/8" (3.5 mm)



THE BIRO MANUFACTURING COMPANY
 1114 WEST MAIN STREET
 MARBLEHEAD, OH 43440-2099 U.S.A.
 Phone: (419) 798-4451
 Fax: (419) 798-9106
<http://www.birosaw.com>
sales@birosaw.com

ITEM NO.: LIT-MINI-32-298
 FORM NO.: Md MINI-32-298-12-11-6-MARK

All specifications contained herein are subject to change without notification.

Service is available from locations worldwide